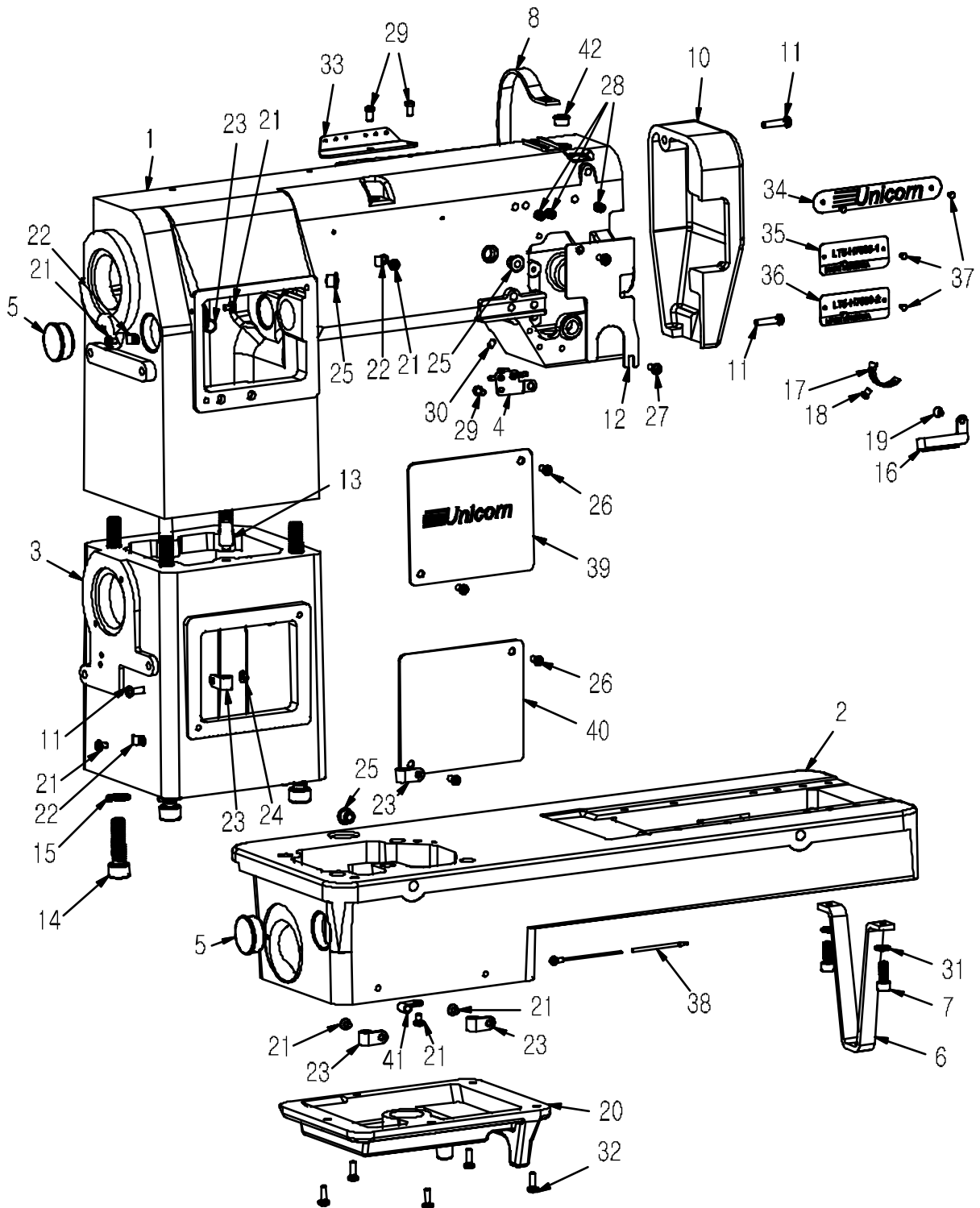


A. 본체 관계 / ARM, BED & SPACER

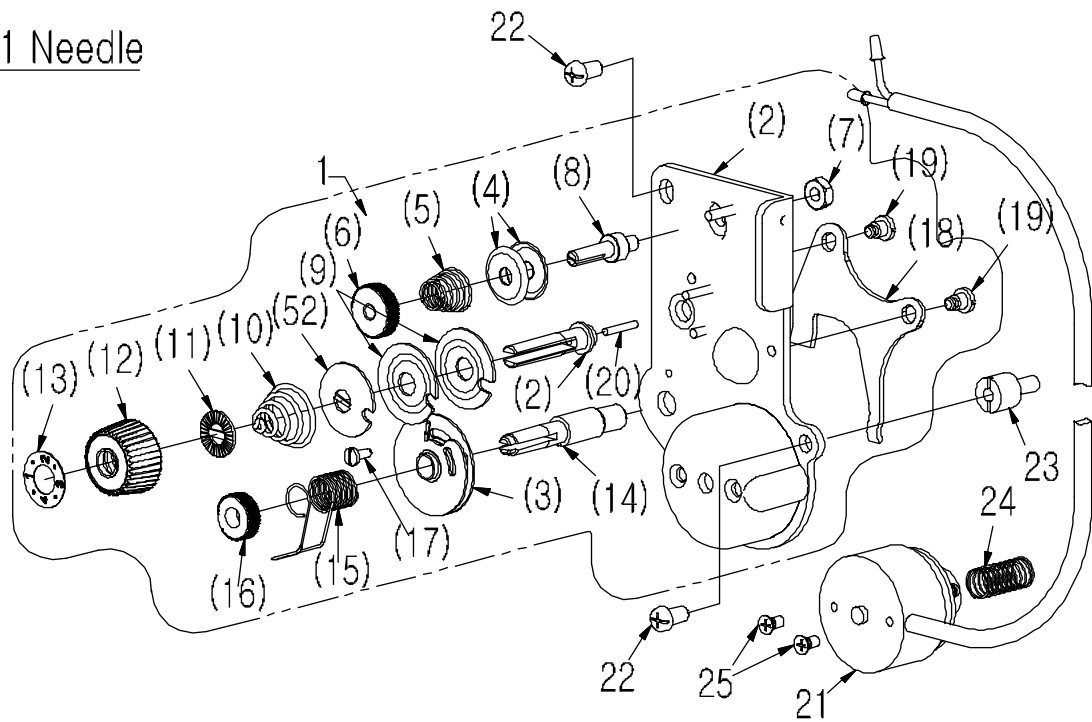


A. / ARM, BED, SPACER

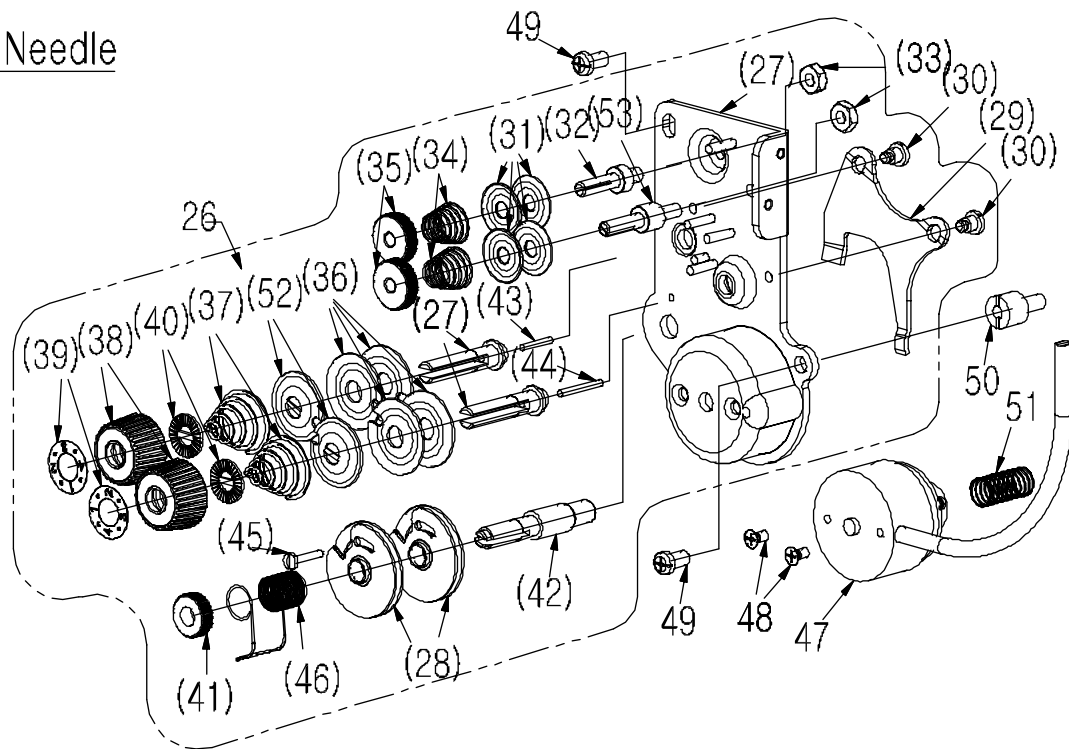
No.	Code No.	Name of Part's	Q'ty		Remark
			1	2	
1	281001	(Arm)	1	1	
2	281002	(Bed)	1	1	
3	281003	(Spacer)	1	1	
4	283010	(Arm Thread Guide)	1	1	
5	287018	(Oil Cap)	2	2	
6	283006	(Bed Leg)	1	1	
7	9008	M6(P1.0)-15	2	2	
8	283001	(Thread Take-Up Cover)	1	1	
10	281004	(Face Cover)	1	1	
11	1063	11/64(40)-20	3	3	
12	283002	()	1	1	
13	201505A	(Pin)	2	2	
14	9056	M10(P1.5)-35	8	8	
15	286048	(Spring Washer)	8	8	
16	159001	()	1	1	
17	153074	(Spring Stoper)	1	1	
18	1020	SM 9/64(40)-5	1	1	
19	4012	SM 9/64(40)-7	1	1	
20	281026	(Bed Cover)	1	1	
21	1047	SM11/64(40)-6	7	7	
22	113038	(Pipe Holder)	3	3	
23	157007	()	5	5	
24	122084	(Nut)	1	1	
25	137015	(Code Bushing)	3	3	
26	1050	SM 11/64(40)-8	4	4	
27	1126	SM11/64(40)-10	2	2	
28	3082	SM15/64(28)-8	3	3	
29	1137	SM 11/64(40)-8	4	4	
30	3020	SM 11/64(40)-6	1	1	
31	116001	(Spring Washer)	2	2	
32	1127	SM11/64(40)-12	5	5	
33	283052	(Thread Guide)	1	1	
34	114009	(Name Plate)	1	1	
35	284008	(Model Plate)	1		
36	284010	(Model Plate)		1	
37	284009	(Pin)	4	4	
38	129032	(Ground Wire)	1	1	
39	283064	()	1	1	
40	283003	()	1	1	
41	157006	()	1	1	
42	287024	(Oil Cap)	1	1	

B. 사조자기구/THREAD TENSION REGULATOR MECHANISM

1 Needle



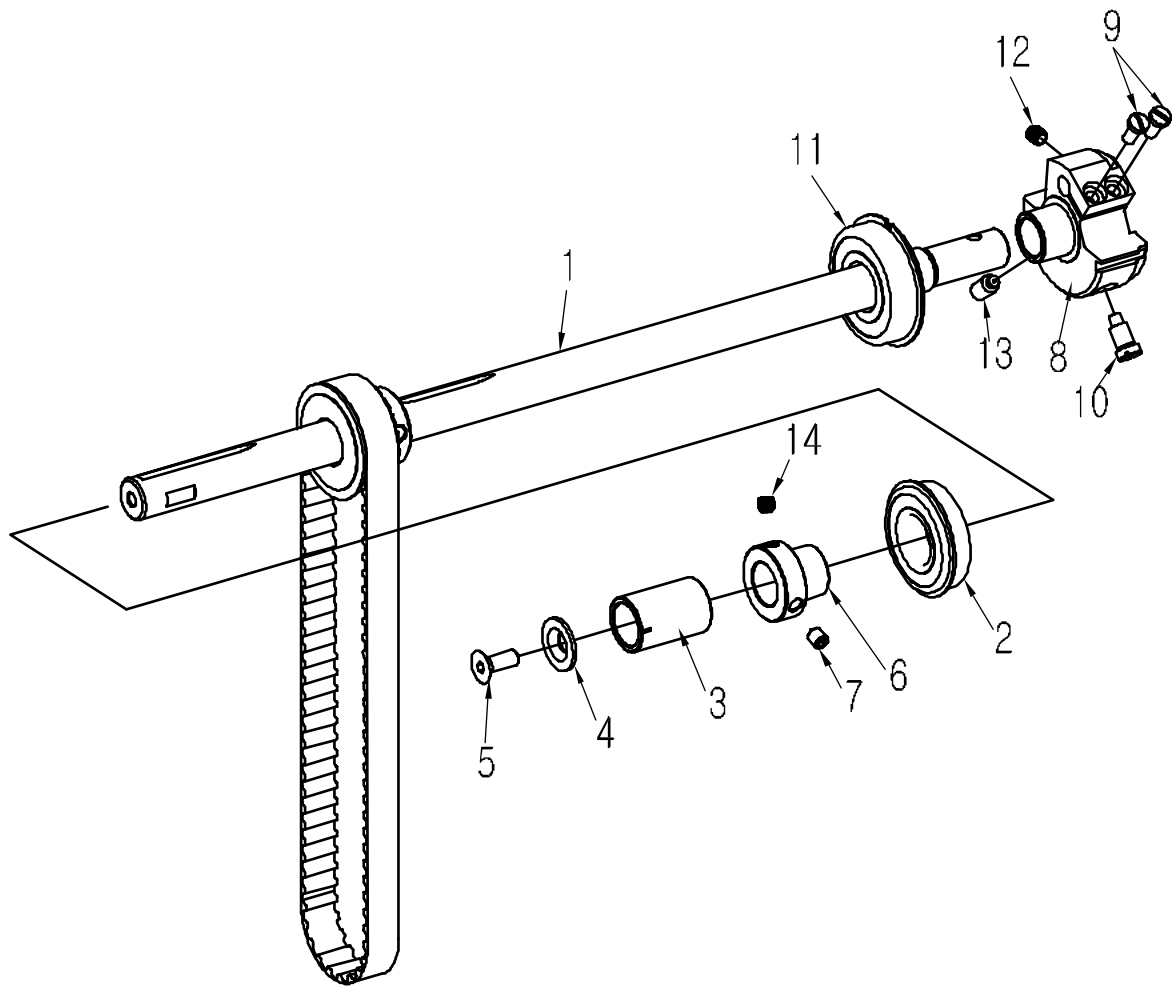
2 Needle



B. / THREAD TENSION REGULATOR MECHANISM

No.	Code No.		Name of Part's	Q'ty		Remark
				1	2	
1	289062	()	(Thread Regulating Plate Ass'y)	1		
(2)	289064	()	(Thread Regulating Plate Ass'y)	1		
(3)	159018	()	(Thread Take-Up Spring Guide Ass'y)	1		
(4)	123084		(Thread Guide Disc)	2		
(5)	305000		(Spring)	1		
(6)	122077		(Thread Tension Nut)	1		
(7)	122084		(Nut)	1		
(8)	282158	()	(Thread Tension Stud(L))	1		
(9)	153018	()	(Thread Tension Disc (L))	2		
(10)	135002		(Thread Tension Spring)	1		
(11)	123068		(Thumb Nut Stopper)	1		
(12)	124022		(Thread Tension Nut)	1		
(13)	124023		(Sticker)	1		
(14)	152005	()	(Thread Guide Pin (S))	1		
(15)	175004		(Spring)	1		
(16)	152008		(Thread Tension Nut)	1		
(17)	2137	SM 3/32(56)-6.5	(Screw SM 3/32(56)-6.5)	1		
(18)	283073		(Tention Releasing Plate)	1		
(19)	6006	SM 9/64(40)-2.7	(Screw SM 9/64(40)-2.7)	2		
(20)	282154		(Pin)	1		
21	289040	()	(Tension Releasing Solenoid Ass'y)	1		
22	1137	SM 11/64(40)-8	(Screw SM 11/64(40)-8)	2		
23	8139	SM 11/64(40)-8	(Screw SM 11/64(40)-8)	1		
24	285010		(Spring)	1		
25	4035	M3(P0.5)-6	(Screw M3(P0.5)-6)	2		
26	289061	()	(Thread Regulating Plate Ass'y)		1	
(27)	289063	()	(Thread Regulating Plate Ass'y)		1	
(28)	159018	()	(Thread Take-Up Spring Guide Ass'y)		2	
(29)	283073		(Tention Releasing Plate)		1	
(30)	6006	SM 9/64(40)-2.7	(Screw SM 9/64(40)-2.7)		2	
(31)	123084		(Thread Guide Disc)		4	
(32)	282158	()	(Thread Tension Stud(L))		1	
(33)	122084		(Nut)		2	
(34)	305000		(Spring)		2	
(35)	122077		(Thread Tension Nut)		2	
(36)	153018	()	(Thread Tension Disc (L))		4	
(37)	135002		(Thread Tension Spring)		2	
(38)	124022		(Thread Tension Nut)		2	
(39)	124023		(Sticker)		2	
(40)	123068		(Thumb Nut Stopper)		2	
(41)	152008		(Thread Tension Nut)		1	
(42)	152005	()	(Thread Guide Pin (S))		1	
(43)	282154		(Pin)		1	
(44)	282155		(Pin)		1	
(45)	2004	SM 3/32(56)-12	(Screw SM 3/32(56)-12)		1	
(46)	155004		(Thread Take-Up Spring)		1	
47	289040	()	(Tension Releasing Solenoid Ass'y)		1	
48	4035	M3(P0.5)-6	(Screw M3(P0.5)-6)		2	
49	1137	SM 11/64(40)-8	(Screw SM 11/64(40)-8)		2	
50	8139	SM 11/64(40)-8	(Screw SM 11/64(40)-8)		1	
51	285010		(Spring)		1	
(52)	153020		(Spring Guide Plate)	1	2	
(53)	282159	()	(Thread Tension Stud(R))		1	

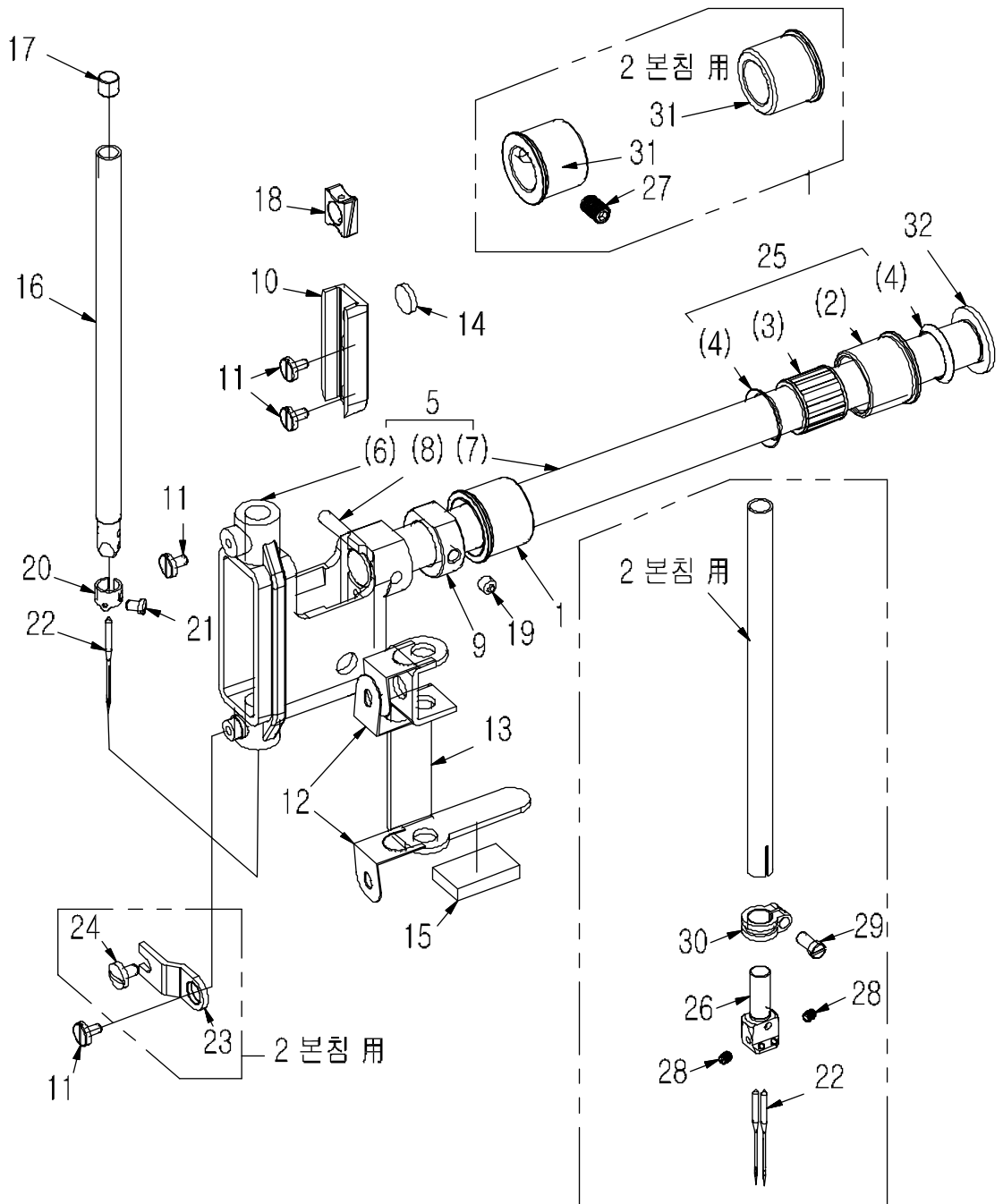
C. 상축기구 / UPPER SHAFT MECHANISM



C. / UPPER SHAFT MECHANISM

No.	Code No.		Name of Part's	Q'ty		Remark
				1	2	
1	282010		(Upper Shaft)	1	1	
2	286028	6004ZZ NR	(Bearing 6004ZZ NR)	1	1	
3	282012		(Guide Bushing)	1	1	
4	283044		(Washer)	1	1	
5	4034	M6(P1.0)-16	(Screw M6(P1.0)-16)	1	1	
6	282011		(Bearing Bushing)	1	1	
7	3100	M6(P0.75)-8	(Screw M6(P0.75)-8)	1	1	
8	281006		(Thread Take-up Crank)	1	1	
9	2138	SM 3/16(32)-11	(Screw SM 3/16(32)-11)	2	2	
10	7005	SM 9/32(28)-14	(Screw SM 9/32(28)-14)	1	1	
11	286001	6204ZZ NR	(Bearing 6204ZZ NR)	1	1	
12	3058	SM1/4(40)-6	(Screw SM1/4(40)-6)	1	1	
13	3068	SM9/32(28)-13.5	(Screw SM9/32(28)-13.5)	1	1	
14	3110	M6(P0.75)-5	(Screw M6(P0.75)-5)	1	1	

D. 침봉&요동대기구 / NEEDLE BAR & ROCK SHAFT MECHANISM

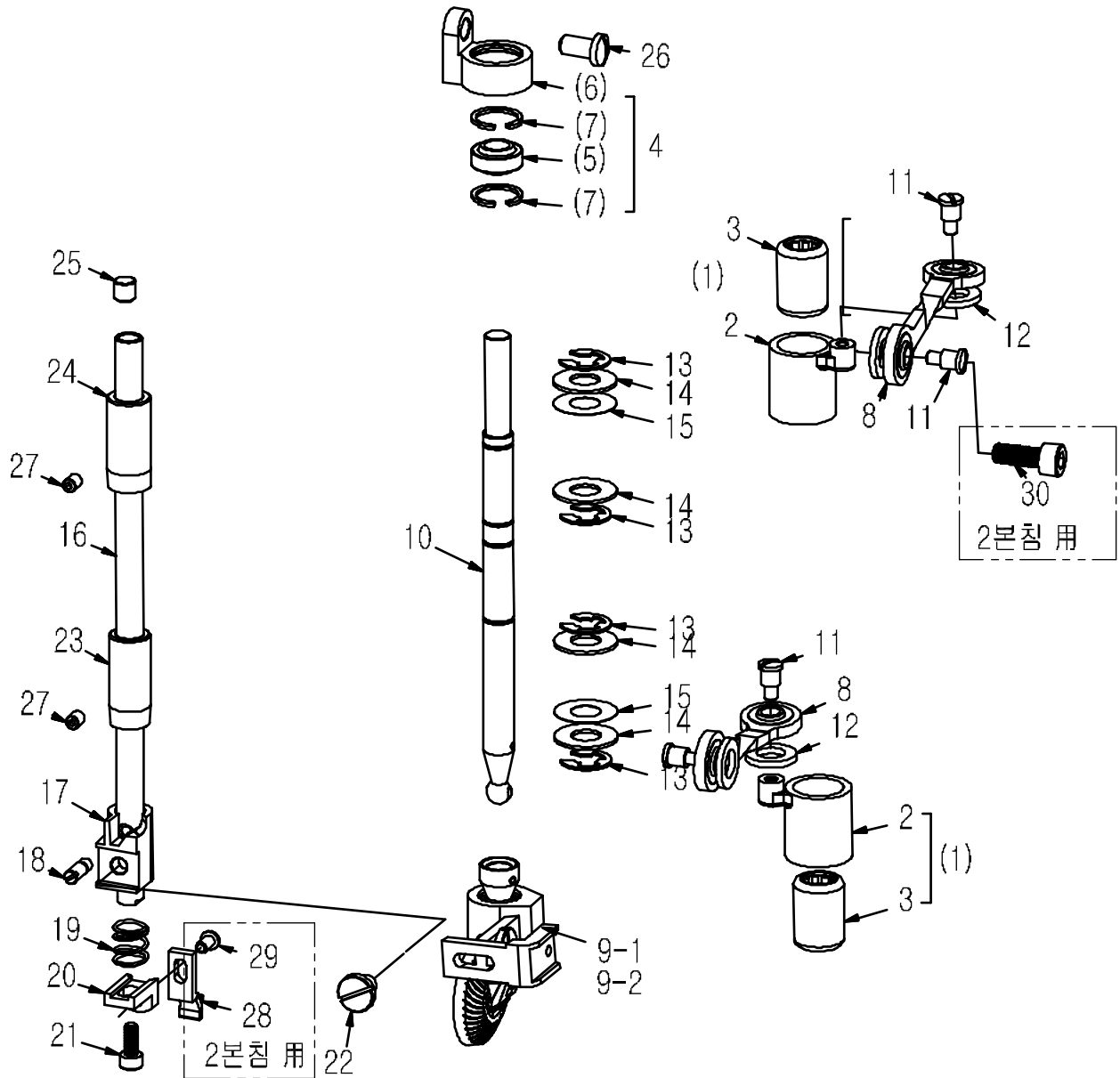


D. ,

/NEEDLE BAR, ROCK SHAFT MECHANISM

No.	Code No.		Name of Part's	Q'ty		Remark
				1	2	
1	289010	()	(Needle Bearing Ass'y)	2		
(2)	282039		(Needle Bearing Bushing)	2		
(3)	286013		(Needle Bearing)	2		
(4)	283050		(Bearing Cover)	4		
5	289031	()	(Needle Bar Rock Frame Ass'y)	1	1	
(6)	281008		(Needle Bar Rock Frame)	1	1	
(7)	282035		(Needle Bar Rock Shaft)	1	1	
(8)	152072		(Taper Pin)	1	1	
9	282109		(Collar)	1	1	
10	281024		(Needle Bar Guide Block plate)	1	1	
11	2140	SM1/8(40)-6	(Screw SM1/8(40)-6)	4	4	
12	283043		(Holder for Felt)	3	3	
13	288001		(Felt)	1	1	
14	288002		(Felt)	1	1	
15	288006		(Felt)	1	1	
16	282073		(Needle Bar)	1		
17	287013		(Needle Bar Cap)	1	1	
18	281045		(Slide block)	1	1	
19	3080	M5(P0.8)-5	(Screw M5(P0.8)-5)	1	1	
20	113013		(Thread Guide)	1		
21	2009	SM 1/8(40)-4.5	(Screw SM 1/8(40)-4.5)	1		
22	116002H	DPX5	(Needle #18)	1	2	
23	283067		(Needle Bar Stopper)		1	
24	2058	SM11/64(40)-6	(Screw SM11/64(40)-6)		1	
25	282150		(Needle Bar)		1	
26	281060	()	(Needle Holder)		1	
27	3077	M6(P1.0)-10	(Screw M6(P1.0)-10)		1	
28	3117	M3(P0.5)-4	(Screw M3(P0.5)-4)		2	
29	2149	M4(P0.7)-8	(Screw M4(P0.7)-8)		1	
30	281061	()	(Needle Holder Clamp)		1	
31	282156		(Rock Shaft Bushing)		2	
32	283063		(Washer)	1		

E. 압봉롤러기구 / PRESSER BAR ROLLER MECHANISM

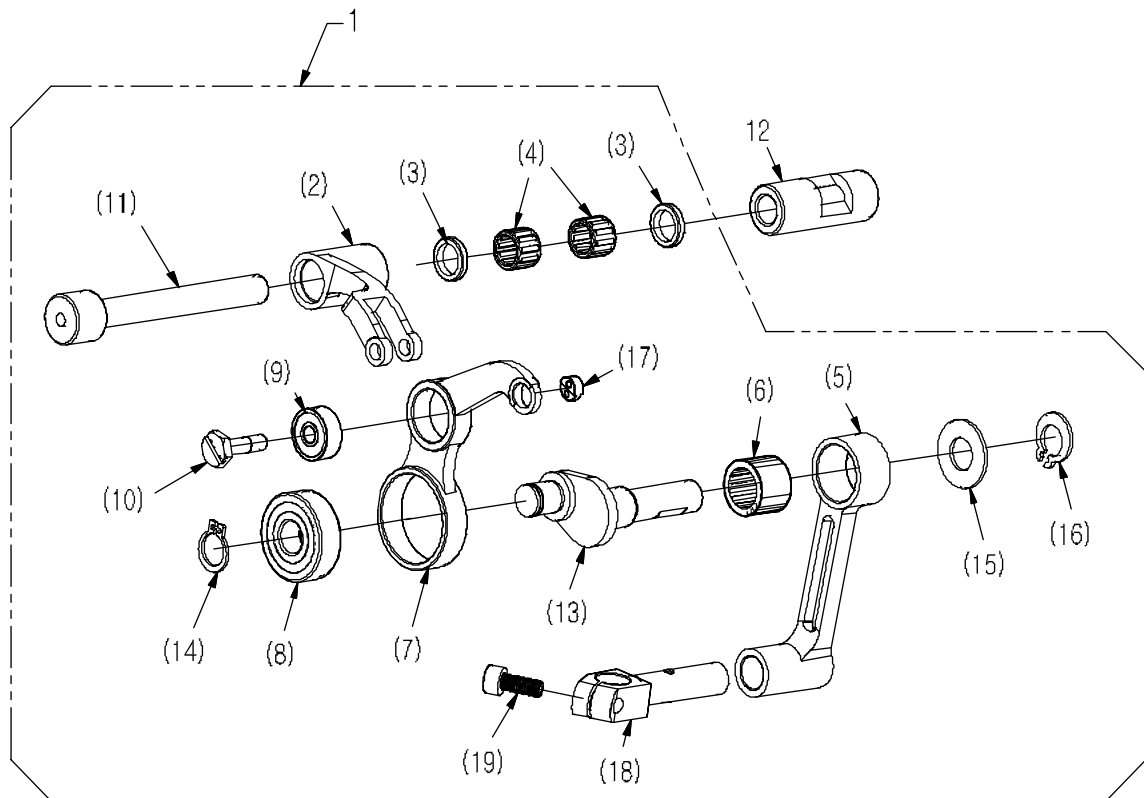


E.

/ PRESSER BAR ROLLER MECHANISM

No.	Code No.		Name of Part's	Q'ty		Remark
				1	2	
(1)	289014	()	(Lock Bearing Holder Ass'y)	2	2	
2	281036		(Lock Bearing Holder)	2	2	
3	286017		(Rock Bearing)	2	2	
4	289032	()	(Bearing Holder Ass'y)	1	1	
(5)	286015		(Plain Bearing)	1	1	
(6)	281035		(Bearing Holder)	1	1	
(7)	286037	C 16	(Stop Ring)	2	2	
8	289033	()	(Bearing Rod Ass'y)	2	2	
9-1	289054	()	(Presser Bar Roller Ass'y(L))	1	1	
9-2	289053	()	(Presser Bar Roller Ass'y(S))	1	1	
10	282064		(Roller Shaft)	1	1	
11	6154	M4 (P0.7)-5	(Screw M4 (P0.7)-5)	4	3	
12	288003		(Felt)	4	4	
13	155027	E 8	(Stop Ring)	4	4	
14	283022	(t 1)	(Washer)	4	4	
15	283047	(t 0.1)	(Washer)	2	2	
	283048	(t 0.15)	(Washer)	2	2	
	283049	(t 0.2)	(Washer)	2	2	
16	282047		(Presser Bar)	1	1	
17	281017		(Roller Supportor)	1	1	
18	8149	M4(P0.7)-5	(Screw M4(P0.7)-5)	1	1	
19	285006		(Spring)	1	1	
20	282102		(Guide Bracket)	1	1	
21	9001	M4(P0.7)-10	(Screw M4(P0.7)-10)	1	1	
22	2141	M4(P0.7)-8	(Screw M4(P0.7)-8)	1	1	
23	282049	()	(Presser Bar Bushing)	1	1	
24	282046	()	(Presser Bar Bushing)	1	1	
25	287013		(Needle Bar Cap)	1	1	
26	2096	SM15/64(28)-10	(Screw SM15/64(28)-10)	1	1	
27	3020	SM 11/64(40)-6	(Screw SM 11/64(40)-6)	2	2	
28	281065		(Support Press Foot)		1	
29	2032	SM9/64(40)-7	(Screw SM9/64(40)-7)		1	
30	9033	SM15/64(28)-15	(Screw SM15/64(28)-15)		1	

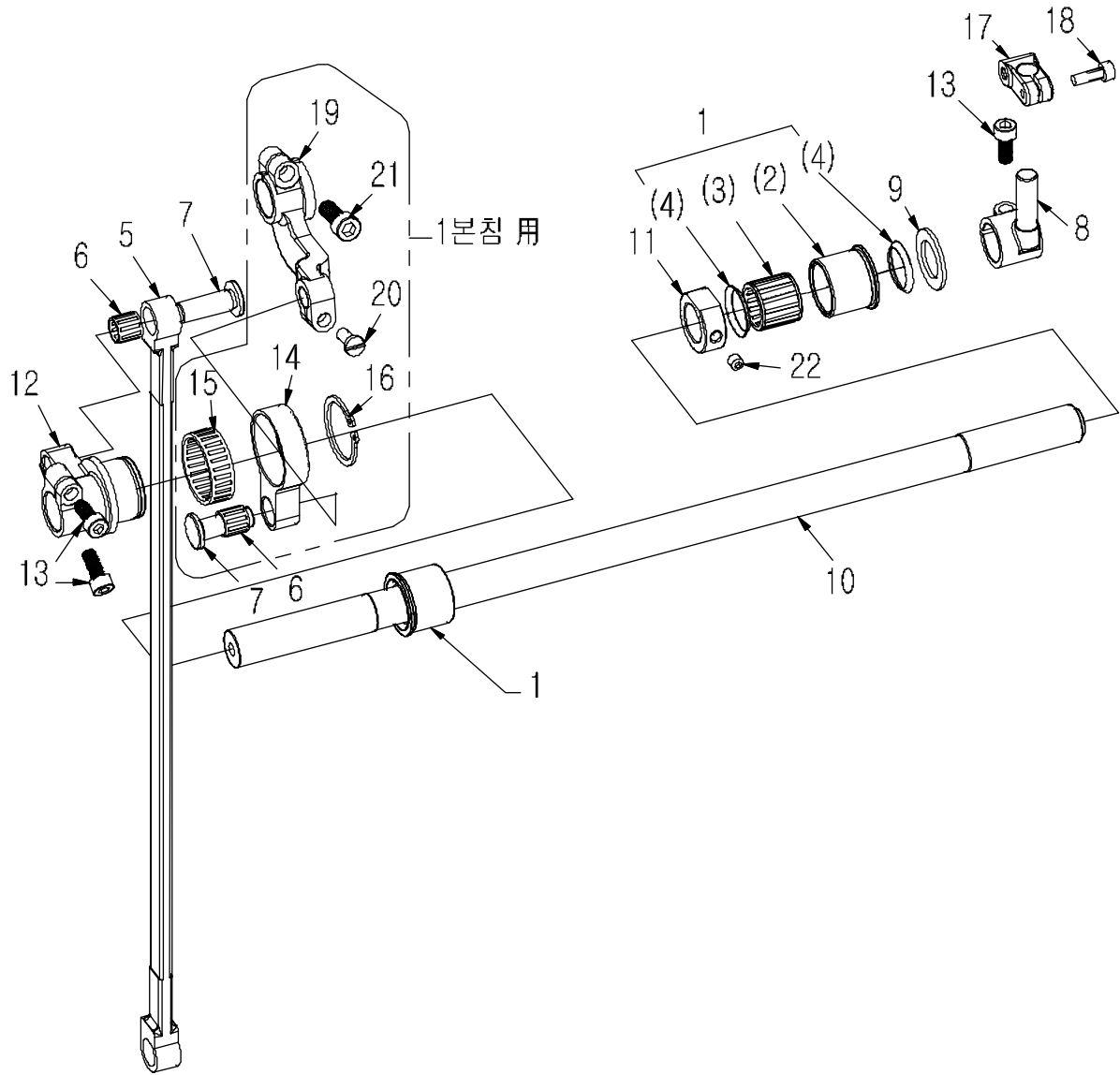
F. 천평기구 / THREA TAKE-UP MECHANISM



F. / THREAD TAKE-UP MECHANISM

No.	Code No.		Name of Part's	Q'ty		Remark
				1	2	
1	289026	()	(Thread Take-Up Ass'y)	1	1	
(2)	281031		(Thread Take-Up Lever)	1	1	
(3)	284002		(Bearing Cover)	2	2	
(4)	286008		(Needle Bearing)	2	2	
(5)	281027		(Needle Crank)	1	1	
(6)	286010		(Needle Bearing)	1	1	
(7)	287003		(Thread Take-Up Lever)	1	1	
(8)	286021	608ZZ	(Bearing 608ZZ)	1	1	
(9)	286029	624ZZ	(Ball Bearing 624ZZ)	1	1	
(10)	5037	M4(P0.7)-5.5	(Screw M4(P0.7)-5.5)	1	1	
(11)	282097		(Lever Shaft)	1	1	
12	282093		(Thread Take-up Shaft Bushing)	1	1	
(13)	282090		(Thread Take-Up Crank Shaft)	1	1	
(14)	286038	C 8	(Stop Ring)	1	1	
(15)	283046	(t 1)	(Washer)	1	1	
(16)	286041		(Grip Washer)	1	1	
(17)	281029		(Bushing)	1	1	
(18)	281049		(Needle Bar Holder)	1	1	
(19)	5036	M4(P0.7)-10	(Bolt M4(P0.7)-10)	1	1	

G. 상부수평축기구 / UPPER FEED ROCK MECHANISM

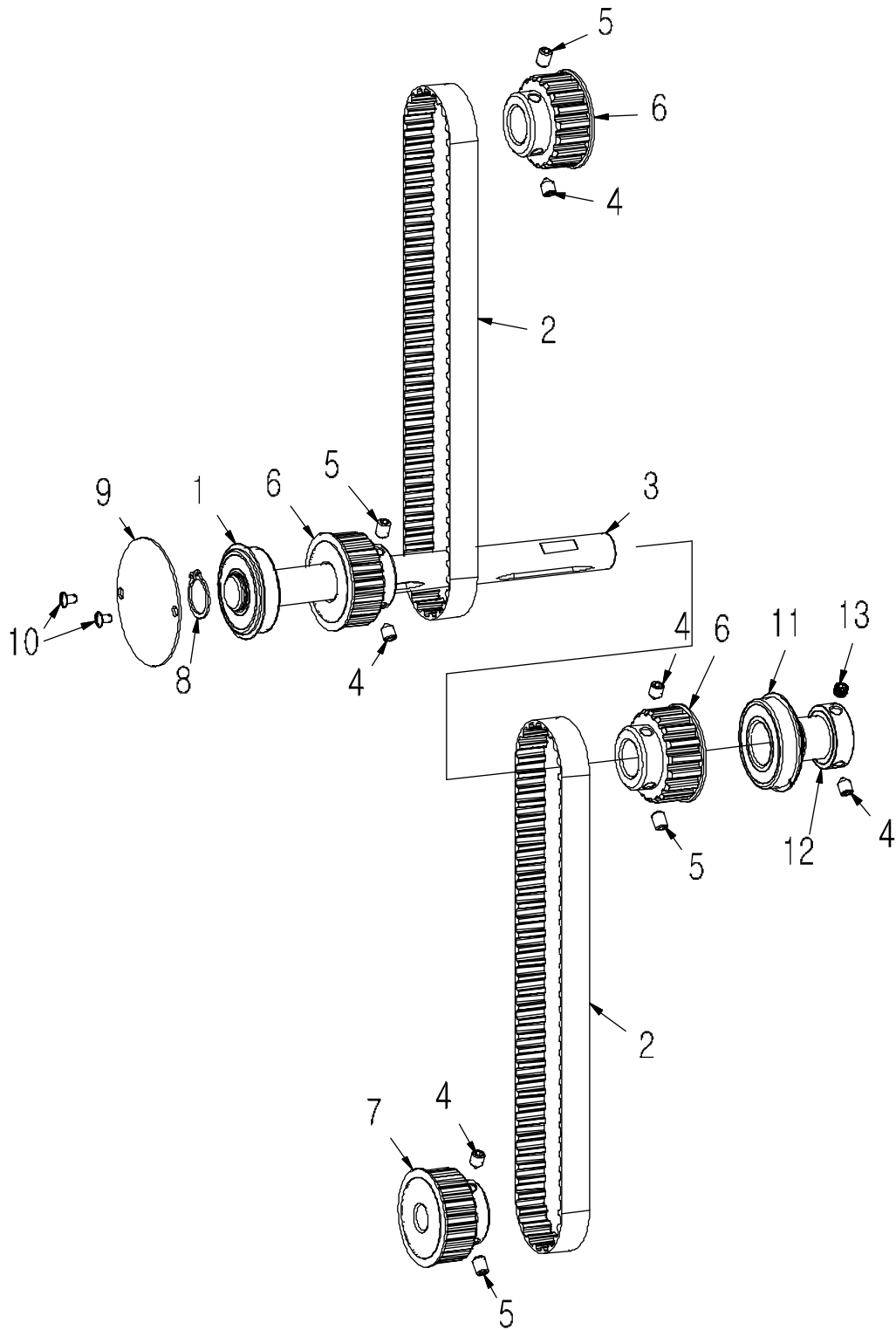


G.

/ UPPER FEED ROCK MECHANISM

No.	Code No.		Name of Part's	Q'ty		Remark
				1	2	
1	289010	()	(Needle Bearing Ass'y)	2	2	
(2)	282039		(Needle Bearing Bushing)	2	2	
(3)	286013		(Needle Bearing)	2	2	
(4)	283050		(Bearing Cover)	4	4	
5	281012		(Connection Stud Link)	1	1	
6	286036		(Needle Bearing)	2	1	
7	282042		(Connecting Pin)	2	1	
8	281013		(Upper Feed Crank)	1	1	
9	283063		(Washer)	1	1	
10	282038		(Upper Feed Rock Shaft)	1	1	
11	282109		(Collar)	1	1	
12	281011		(Upper Feed Cam)	1	1	
13	9036	M5(P0.8)-12	(Screw M5(P0.8)-12)	3	3	
14	281010		(Connecting Link)	1		
15	286040		(Needle Bearing)	1		
16	286034	C 24	(Stop Ring)	1		
17	281014		(Connecting Clamp)	1	1	
18	9013	M4(P0.7)-12	(Screw M4(P0.7)-12)	1	1	
19	281009		(Rock Shaft Link)	1		
20	2138	SM 3/16(32)-11	(Screw SM 3/16(32)-11)	1		
21	9008	M6(P1.0)-15	(Screw M6(P1.0)-15)	1		
22	3080	M5(P0.8)-5	(Screw M5(P0.8)-5)	1	1	

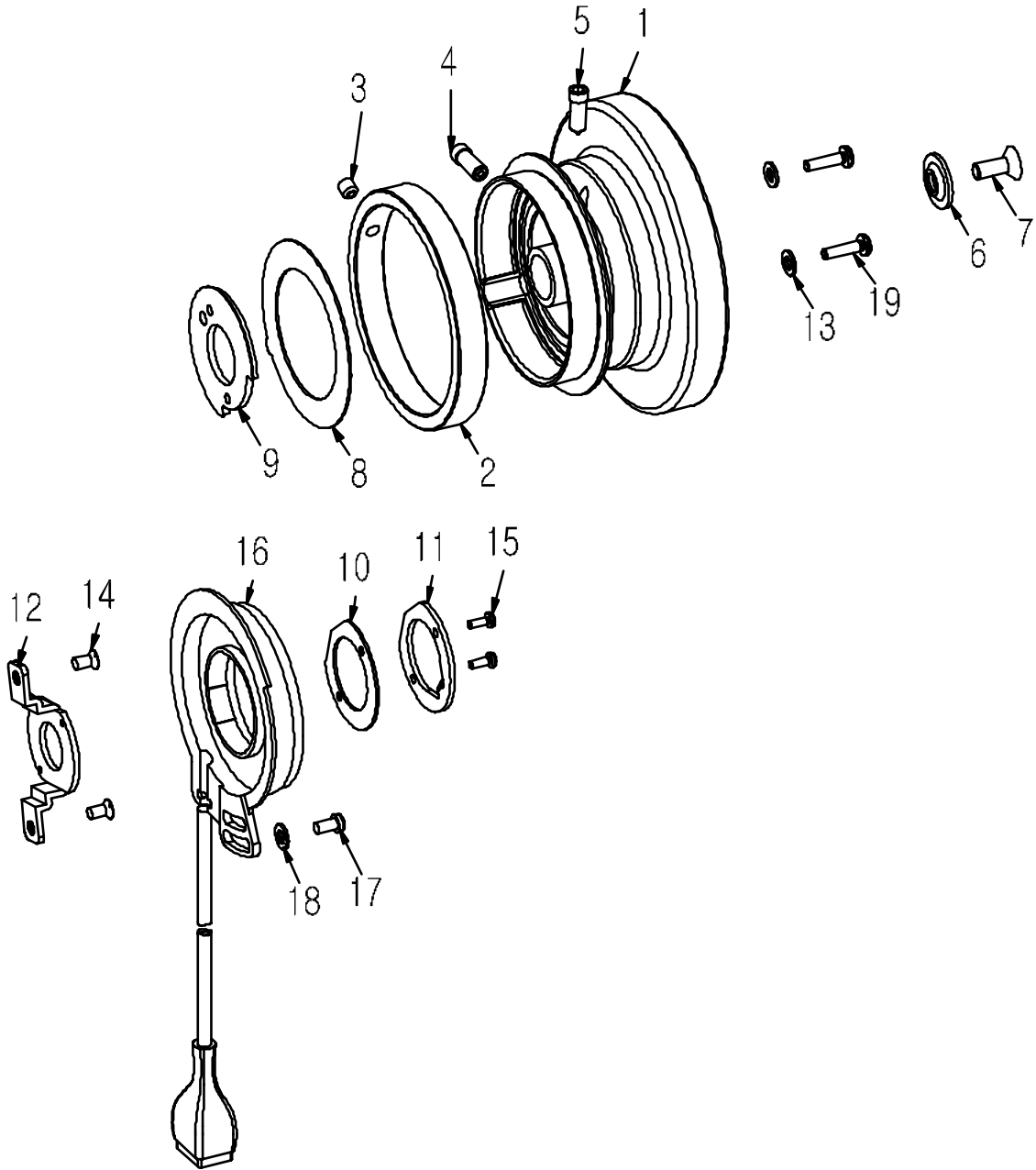
H. 벨트풀리 / BELT PULLEY



H. / BELT PULLEY

No.	Code No.		Name of Part's	Q'ty		Remark
				1	2	
1	286002	6203ZZ NR	(Bearing 6203ZZ NR)	1	1	
2	286030		(Timing Belt)	2	2	
3	282013		(Pulley Shaft)	1	1	
4	3100	M6(P0.75)-8	(Screw M6(P0.75)-8)	5	5	
5	3101	M6(P0.75)-8	(Screw M6(P0.75)-8)	4	4	
6	282121		(Timing Pulley)	3	3	
7	282122		(Timing Pulley)	1	1	
8	225015	C 17	(Stop Ring)	1	1	
9	283004		(Bed Cover)	1	1	
10	1147	SM9/64(40)-6	(Screw SM9/64(40)-6)	2	2	
11	286028	6004ZZ NR	(Bearing 6004ZZ NR)	1	1	
12	282011		(Bearing Bushing)	1	1	
13	3110	M6(P0.75)-5	(Screw M6(P0.75)-5)	1	1	

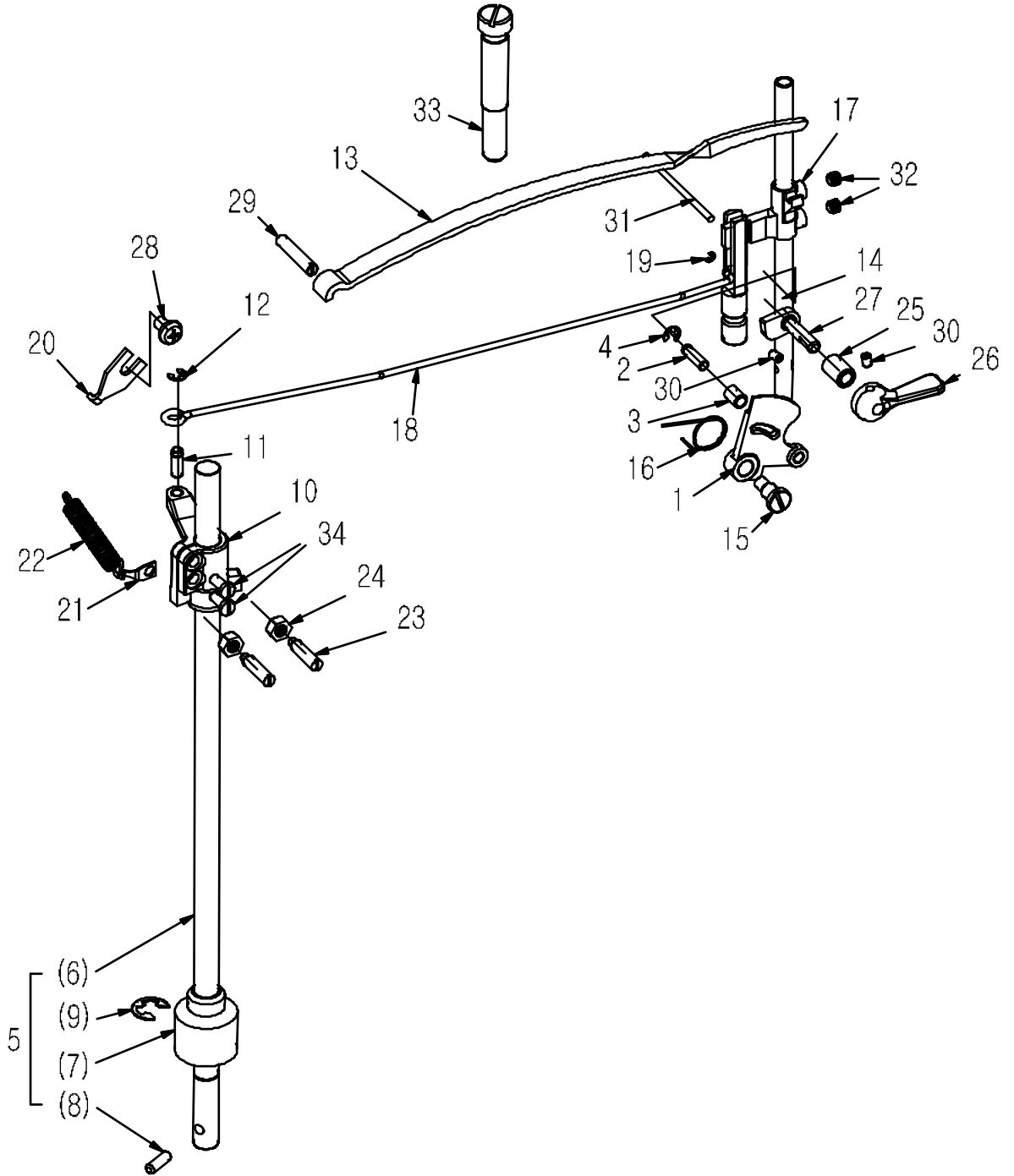
I. 위치검출기 / SYNCHRONIZER



I. / SYNCHRONIZER

No.	Code No.	Name of Part's	Q'ty		Remark
			1	2	
1	284007	(Pulley)	1	1	
2	282015	(Stitch Length Scale Ring)	1	1	
3	3035	SM15/64(28)-06 (Screw SM15/64(28)-06)	1	1	
4	9041	SM 15/64(28)-14 (Screw SM 15/64(28)-14)	1	1	
5	9054	SM 15/64(28)-15 (Screw SM 15/64(28)-15)	1	1	
6	283044	(Washer)	1	1	
7	4034	M6(P1.0)-16 (Screw M6(P1.0)-16)	1	1	
8	154008	(Needle Lower Plate)	1	1	
9	123033	(Needle Upper Plate)	1	1	
10	127003	(Packing)	1	1	
11	123034	(Stopper)	1	1	
12	153052	(Bracket)	1	1	
13	123062	(Washer)	2	2	
14	4030	SM11/64(40)-8 (Screw SM11/64(40)-8)	2	2	
15	1005	M3(P0.5)-8 (Screw M3(P0.5)-8)	2	2	
16	129020	() (Synchronizer Ass'y)	1	1	
17	1050	SM 11/64(40)-8 (Screw SM 11/64(40)-8)	1	1	
18	123062	(Washer)	1	1	
19	1061	SM 11/64(40)-16 (Screw SM 11/64(40)-16)	2	2	

J. 무릎올림기구 / KNEE LIFTER MECHANISM

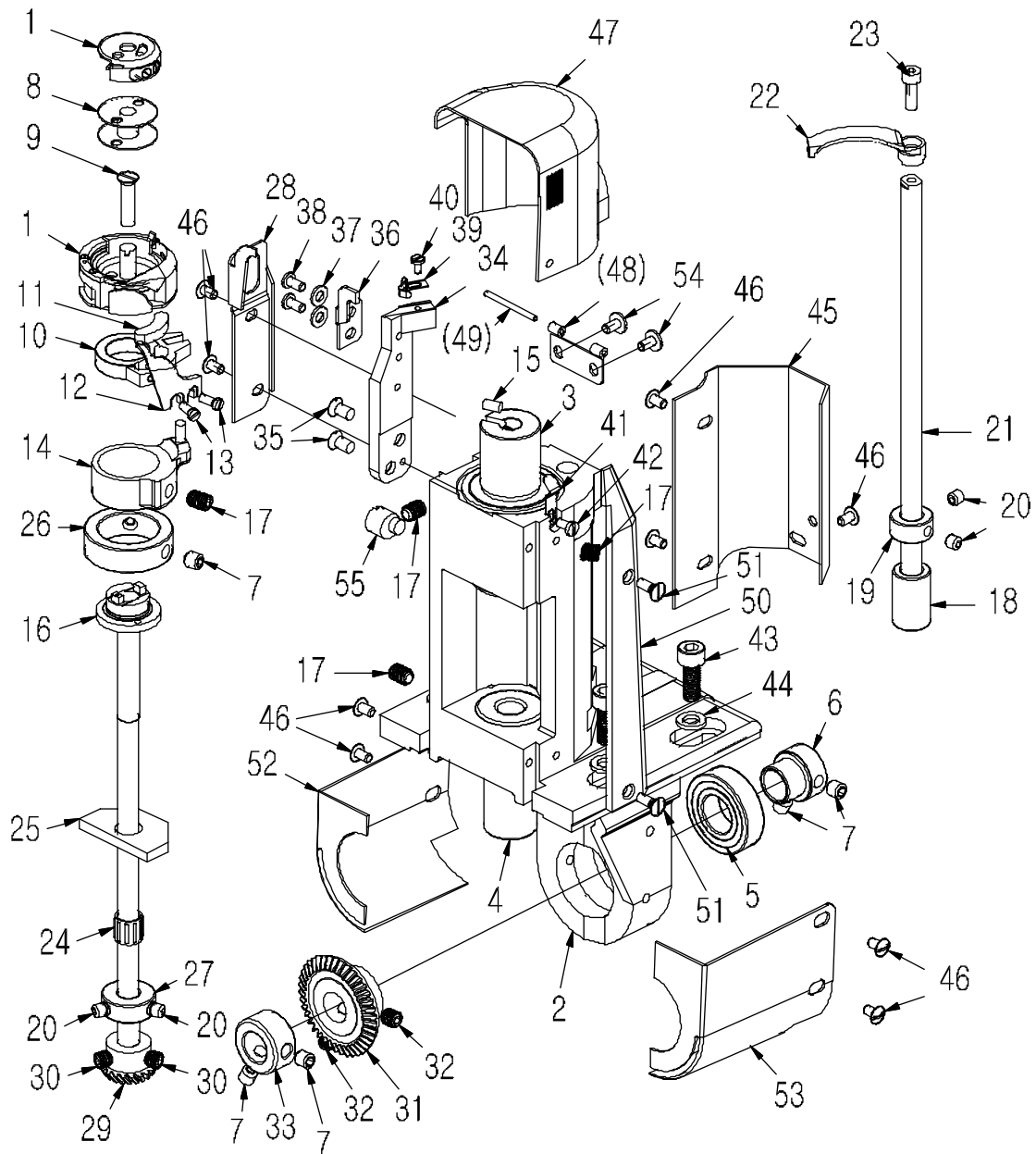


J.

/ KNEE LIFTER MECHANISM

No.	Code No.		Name of Part's	Q'ty		Remark
				1	2	
1	281042		(Thread Release Plate)	1	1	
2	282052		(Thread Release Pin)	1	1	
3	282053		(Roller)	1	1	
4	125039	E 4	(Stop Ring)	1	1	
5	289038	()	(Knee Lifter Rod Ass'y)	1	1	
(6)	282060		(Knee Lifter Rod)	1	1	
(7)	287004		(Lifter Lever Cap)	1	1	
(8)	282100		(Pin)	1	1	
(9)	115014	E 9	(Stop Ring)	1	1	
10	281034		(Knee Lifter Crank)	1	1	
11	282059		(Crank Pin)	1	1	
12	125039	E 4	(Stop Ring)	1	1	
13	283017		(Press Spring Plate)	1	1	
14	282051		(Guide Bushing)	1	1	
15	6153	SM15/64(28)-8.5	(Screw SM15/64(28)-8.5)	1	1	
16	285009		(Spring)	1	1	
17	281016		(Presser Bar Bracket)	1	1	
18	283016		(Knee Lifter Connecting Rod)	1	1	
19	286049	E 2	(Stop Ring)	1	1	
20	283019		(Spring Hook)	1	1	
21	283018		(Spring Hook)	1	1	
22	285011		(Spring)	1	1	
23	3105	M6(P1)-20	(Screw M6(P1)-20)	2	2	
24	182123		(Nut)	2	2	
25	282050		(Bushing)	1	1	
26	281018		(Lifter Lever)	1	1	
27	281040		(Lifter Lever Cam)	1	1	
28	1091	SM 15/64(28)-10	(Screw SM 15/64(28)-10)	1	1	
29	8151	SM15/64(28)-8	(Screw SM15/64(28)-8)	1	1	
30	3020	SM 11/64(40)-6	(Screw SM 11/64(40)-6)	2	2	
31	282057		(Thread Release Pin)	1	1	
32	3112	M6(P0.75)-5	(Screw M6(P0.75)-5)	2	2	
33	8150		(Screw SM1/2(28)-77)	1	1	
34	2138	SM 3/16(32)-11	(Screw SM 3/16(32)-11)	2	2	

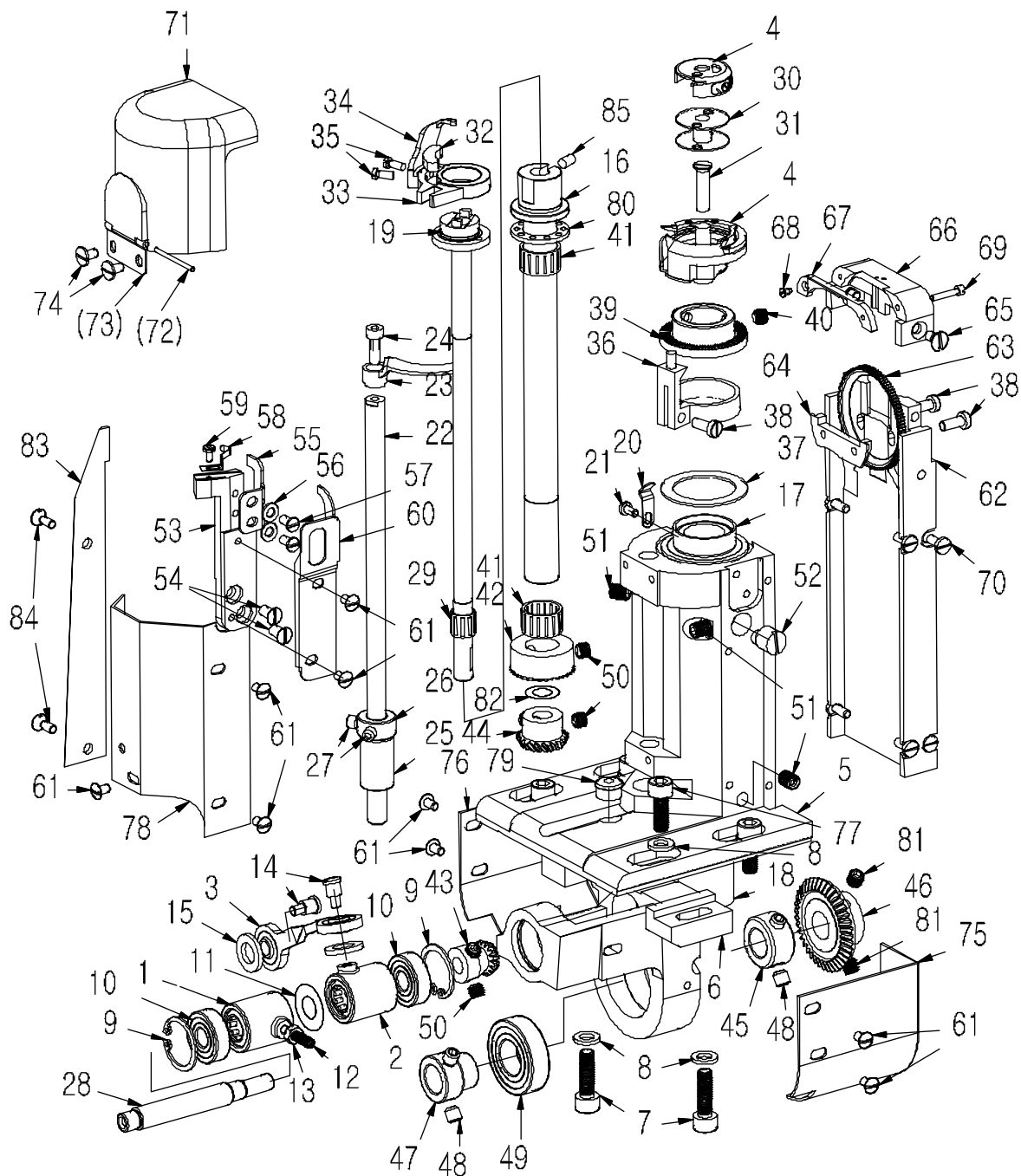
K-1. 가마대(우)기구 / HOOK SADDLE(R) MECHANISM



K-1. 가 () / HOOK SADDLE(R) MECHANISM

No.	Code No.		Name of Part's	Q'ty		Remark
				1	2	
1	37211	가 CP-HPF151TR	(Hook)	1	1	
2	281021	가 ()	(Hook Saddle)	1		
	281062	가 ()	(Hook Saddle)		1	
3	282151	가 ()	(Hook Saddle Bushing (U) R)	1	1	
4	282089	가 ()	(Hook Saddle Bushing (D))	1	1	
5	286042	6002 ZZ	(Bearing 6002 ZZ)	1	1	
6	282104		(Bearing Bushing)	1	1	
7	3035	SM15/64(28)-06	(Screw SM15/64(28)-06)	6	6	
8	152046		(Bobbin)	1	1	
9	4029	SM13/64(32)-12	(Screw SM13/64(32)-12)	1	1	
10	261003		(Opener Holder)	1	1	
11	148029		(Felt)	1	1	
12	261023		(Opener)	1	1	
13	2018	SM1/8(44)-7	(Screw SM1/8(44)-7)	2	2	
14	261004		(Opener Stopper)	1	1	
15	287025		(Bushing Felt)	1	1	
16	282079	가	(Bobbin shaft)	1	1	
17	3082	SM15/64(28)-8	(Screw SM15/64(28)-8)	4	4	
18	282083		(Moved Knife Shaft Bushing)	1	1	
19	262003		(Collar)	1	1	
20	3080	M5(P0.8)-5	(Screw M5(P0.8)-5)	4	4	
21	282119		(Moved Knife Shaft)	1	1	
22	262004		(Moved Knife)	1	1	
23	9013	M4(P0.7)-12	(Screw M4(P0.7)-12)	1	1	
24	286036		(Needle Bearing)	1	1	
25	268001		(Felt)	1	1	
26	282080		(Collar)	1	1	
27	282131	가	(Hook Shart Collar)	1	1	
28	263001		(Bracket Cover)	1	1	
29	282128	가 ()	(Hook Saddle Gear(U))	1	1	
30	3110	M6(P0.75)-5	(Screw M6(P0.75)-5)	2	2	
31	282129	가 ()	(Hook Saddle Gear (D))	1	1	
32	3111	M6(P0.75)-6	(Screw M6(P0.75)-6)	2	2	
33	282132		(Lower Shart Collar)	1	1	
34	261024		(Fixed Knife Bracket)	1	1	
35	4030	SM11/64(40)-8	(Screw SM11/64(40)-8)	2	2	
36	263013		(Fixed Knife)	1	1	
37	153038		(Washer)	2	2	
38	2032	SM 9/64(40)-7	(Screw SM 9/64(40)-7)	2	2	
39	265001		(Thread Holder Spring)	1	1	
40	2003	SM3/32(56)-5	(Screw SM3/32(56)-5)	1	1	
41	263003	가	(Hook Cover Stopper)	1	1	
42	2011	SM1/8(40)-6.5	(Screw SM1/8(40)-6.5)	1	1	
43	9008	M6(P1.0)-15	(Screw M6(P1.0)-15)	4	4	
44	153075		(Washer)	4	4	
45	263009	가	(Hook Saddle Cover)	1	1	
46	1147	SM9/64(40)-6	(Screw SM9/64(40)-6)	9	9	
47	263014	가	(Hook Cover)	1	1	
(48)	263011	가	(Hinge)	1	1	
(49)	262010	가	(Snap Pin)	1	1	
50	283028	A	(Cover A)	1	1	
51	4014	SM9/64(40)-12	(Screw SM9/64(40)-12)	2	2	
52	283030	가 A	(Hook Saddle Gear Cover (A))	1	1	
53	283031	가 B	(Hook Saddle Gear Cover(B))	1	1	
54	2029	SM9/64(40)-6.5	(Screw SM9/64(40)-6.5)	2	2	
55	282144		(Eccentric Control Pin)	1	1	

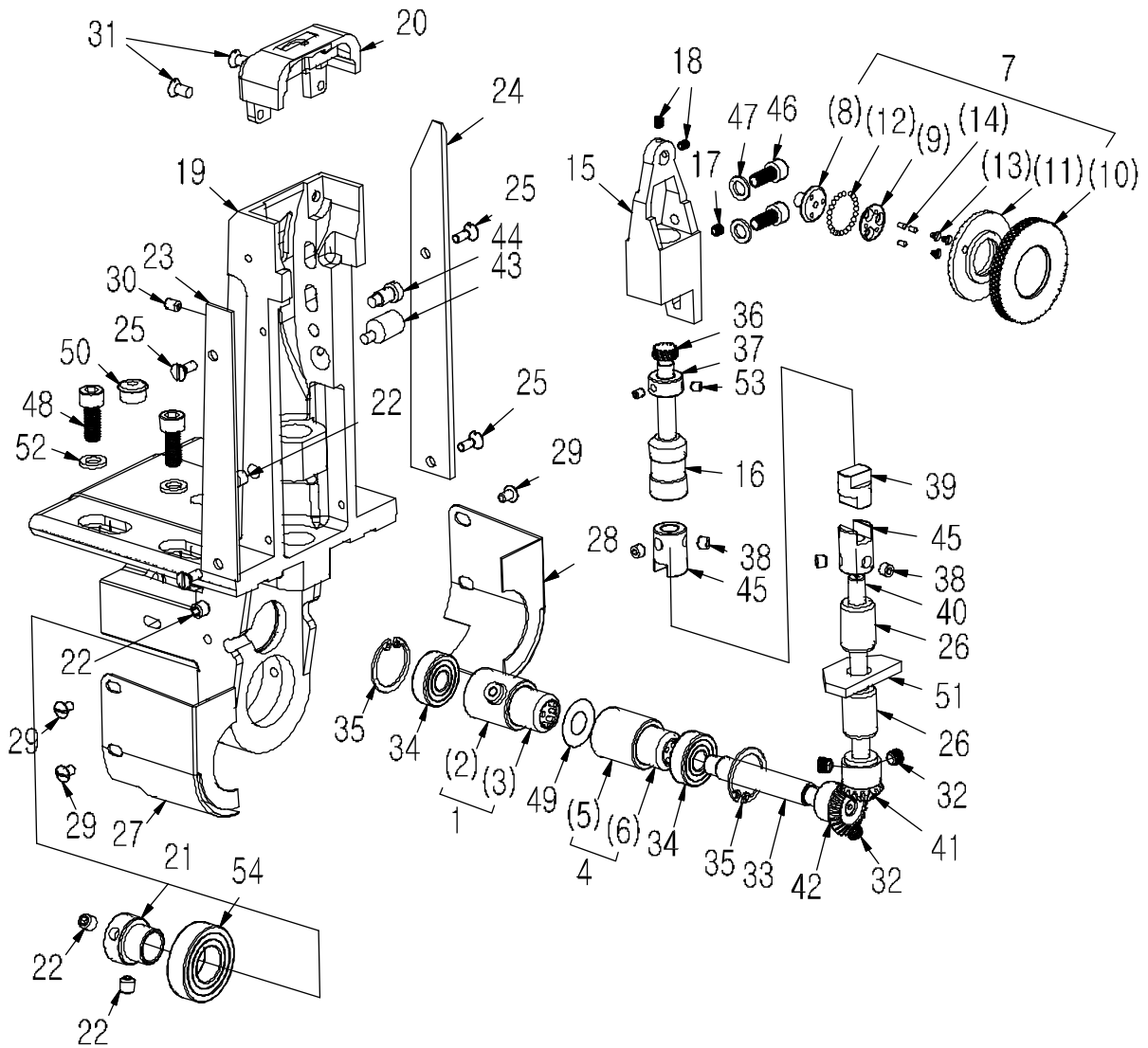
K-2. 가마대(좌)기구 / HOOK SADDLE(L) MECHANISM



K-2. 가 () / HOOK SADDLE(L) MECHANISM

No.	Code No.	Name of Part's	Qty		Remark
			1	2	
1	289017	() (Lock Bearing Holder Ass'y)	1	1	
2	289018	() (Lock Bearing Holder Ass'y)		1	
3	289033	() (Bearing Rod Ass'y)		1	
4	37211	가 CP-HPF151TR (Hook)		1	
5	281055	가 () (Hook Saddle (L))		1	
6	281056	가 () (Hook Saddle Supportor)		1	
7	9031	M6(P1.0)-20 (Screw M6(P1.0)-20)		2	
8	153075	(Washer)		6	
9	286039	C 22 (Stop Ring)		2	
10	286021	608ZZ (Bearing 608ZZ)		2	
11	283047	(t 0.1) (Washer)		1	
12	3116	M4(P0.7)-10 (Screw M4(P0.7)-10)		1	
13	122083	(M4) (Nut M4)		1	
14	6154	M4 (P0.7)-5 (Screw M4 (P0.7)-5)		2	
15	288003	(Felt)		2	
16	282143	(Wheel Feed Driving Shaft)		1	
17	282140	가 () (Hook Saddle Bushing (U) L)		1	
18	282141	가 () (Hook Saddle Bushing (D))		1	
19	282079	가 () (Bobbin shaft)		1	
20	263003	가 (Hook Cover Stopper)		1	
21	2011	SM1/8(40)-6.5 (Screw SM1/8(40)-6.5)		1	
22	282119	(Moved Knife Shaft)		1	
23	262004	(Moved Knife)		1	
24	9013	M4(P0.7)-12 (Screw M4(P0.7)-12)		1	
25	282083	(Moved Knife Shaft Bushing)		1	
26	262003	(Collar)		1	
27	3080	M5(P0.8)-5 (Screw M5(P0.8)-5)		2	
28	282078	(Shaft)		1	
29	286036	(Needle Bearing)		1	
30	152046	(Bobbin)		1	
31	4029	SM13/64(32)-12 (Screw SM13/64(32)-12)		1	
32	148029	(Felt)		1	
33	261003	(Opener Holder)		1	
34	261023	(Opener)		1	
35	2018	SM1/8(44)-7 (Screw SM1/8(44)-7)		2	
36	281064	(Stopper)		1	
37	283065	가 (Washer)		1	
38	2150	M4(P0.7)-10 (Screw M4(P0.7)-10)		3	
39	282142	(Driving Gear)		1	
40	3118	M6(P0.75)-5 (Screw M6(P0.75)-5)		2	
41	286053	() (Needle Bearing (L))		2	
42	282146	() (Bevel Gear (L))		1	
43	282145	() (Bevel Gear (S))		1	
44	282128	가 () (Hook Saddle Gear(U))		1	
45	282132	(Lower Shaft Collar)		1	
46	282129	가 () (Hook Saddle Gear (D))		1	
47	282104	(Bearing Bushing)		1	
48	3035	SM15/64(28)-06 (Screw SM15/64(28)-06)		4	
49	286042	6002 ZZ (Bearing 6002 ZZ)		1	
50	3110	M6(P0.75)-5 (Screw M6(P0.75)-5)		6	
51	3082	SM15/64(28)-8 (Screw SM15/64(28)-8)		3	
52	282144	(Eccentric Control Pin)		1	
53	261024	(Fixed Knife Bracket)		1	
54	4030	SM11/64(40)-8 (Screw SM11/64(40)-8)		2	
55	263013	(Fixed Knife)		1	
56	153038	(Washer)		2	
57	2032	SM 9/64(40)-7 (Screw SM 9/64(40)-7)		2	
58	265001	(Thread Holder Spring)		1	
59	2003	SM3/32(56)-5 (Screw SM3/32(56)-5)		1	
60	263001	(Bracket Cover)		1	
61	1147	SM9/64(40)-6 (Screw SM9/64(40)-6)		9	
62	281063	(Wheel Feed Support)		1	
63	282147	(Wheel Feed)		1	
64	282148	(Wheel Feed Plate)		1	
65	4018	SM 11/64(40)-8 (Screw SM 11/64(40)-8)		2	
66	281058	(Needle Plate)		1	
67	281059	(Auxiliary Needle Plate)		1	
68	4036	SM3/32(56)-6 (Screw SM3/32(56)-6)		1	
69	2147	SM3/32(56)-13 (Screw SM3/32(56)-13)		1	
70	2034	SM 9/64(40)-8.5 (Screw SM 9/64(40)-8.5)		8	
71	263014	가 (Hook Cover)		1	
74	2029	SM9/64(40)-6.5 (Screw SM9/64(40)-6.5)		2	
75	283069	가 C (Hook Saddle Gear Cover (C))		1	
76	283070	가 D (Hook Saddle Gear Cover(D))		1	
77	9008	M6(P1.0)-15 (Screw M6(P1.0)-15)		4	
78	263009	가 (Hook Saddle Cover)		1	
79	287024	(Oil Cap)		1	
80	286054	(Thrust Ball Bearing)		1	
81	3111	M6(P0.75)-6 (Screw M6(P0.75)-6)		2	
82	283054	(Washer)		1	
83	283028	A (Cover A)		1	
84	4014	9/64(40)-12 (Screw SM 9/64(40)-12)		2	
85	287025	(Bushing Felt)		1	

L. 포스트 기구 / POST MECHANISM

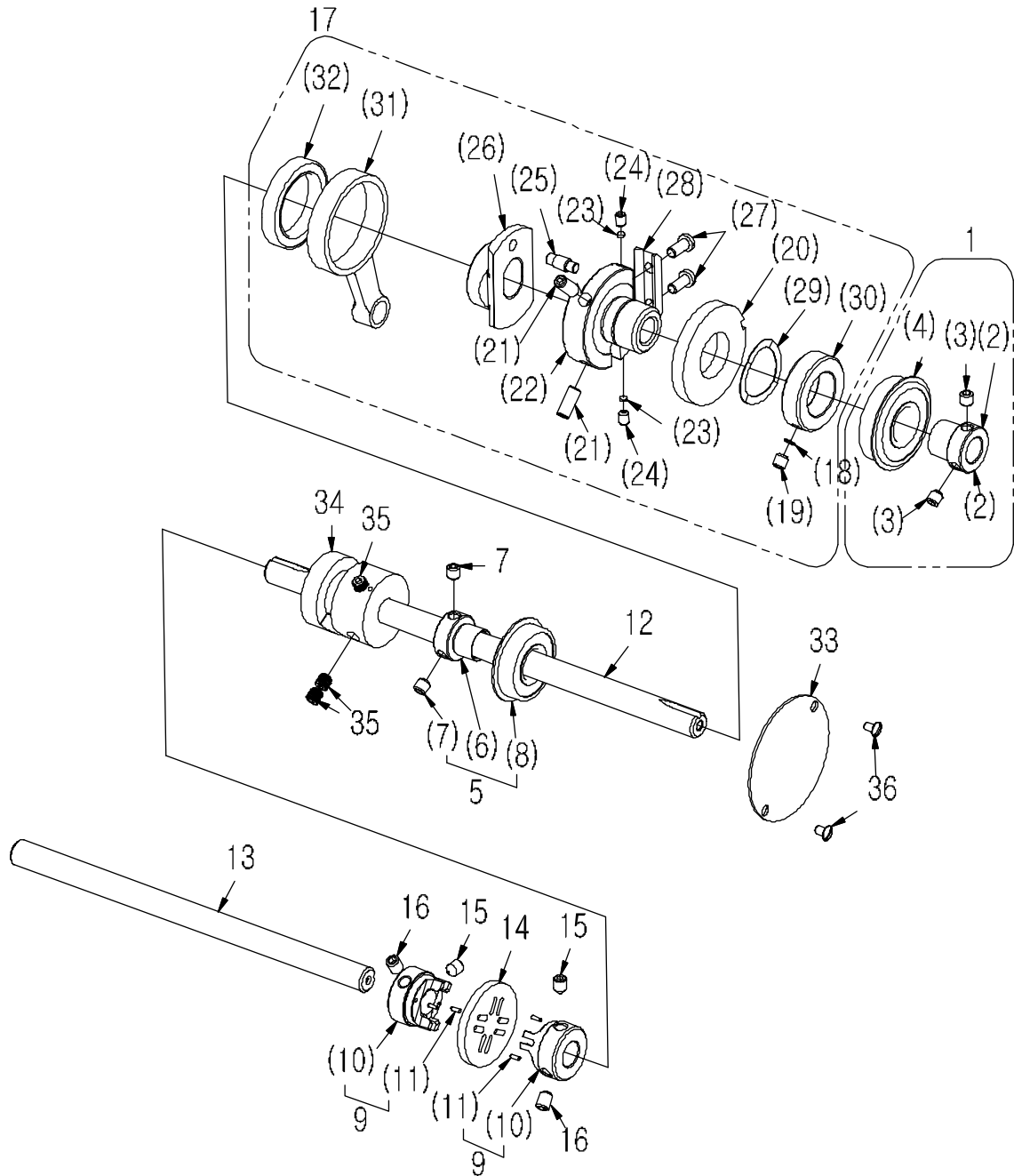


L.

/ POST MECHANISM

No.	Code No.		Name of Part's	Q'ty		Remark
				1	2	
1	289017	()	(Lock Bearing Holder Ass'y)	1		
(2)	281046		(Lock Bearing Holder)	1		
(3)	286017		(Rock Bearing)	1		
4	289018	()	(Lock Bearing Holder Ass'y)	1		
(5)	281046		(Lock Bearing Holder)	1		
(6)	286017		(Rock Bearing)	1		
7	289057	()	(Roller Ass'y)	1		
(8)	282125	()	(Ball Bracket U)	1		
(9)	282126	()	(Ball Bracket D)	1		
(10)	282069		(Roller)	1		
(11)	282123		(Hypoid Gear)	1		
(12)	282124	2mm	(Ball 2mm)	23		
(13)	4004	SM 3/32(56)-4	(Screw SM 3/32(56)-4)	3		
(14)	3106	SM3/32(56)-2.5	(Screw SM3/32(56)-2.5)	3		
15	281039		(Roller Holder)	1		
16	282072		(Roller Holder Bushing)	1		
17	3113	M4(P0.7)-5	(Screw M4(P0.7)-5)	1		
18	3107	M3(P0.5)-4	(Screw M3(P0.5)-4)	2		
19	281020		(Post)	1		
20	281019		(Needle Plate)	1		
21	282104		(Bearing Bushing)	1		
22	3035	SM15/64(28)-06	(Screw SM15/64(28)-06)	4		
23	283029	B	(Cover B)	1		
24	283053	(C)	(Caver C)	1		
25	4014	SM9/64(40)-12	(Screw SM9/64(40)-12)	4		
26	282040		(Busing)	2		
27	283032	A	(Post Gear Cover (A))	1		
28	283033	B	(Post Gear Cover(B))	1		
29	1147	SM9/64(40)-6	(Screw SM9/64(40)-6)	4		
30	3020	SM 11/64(40)-6	(Screw SM 11/64(40)-6)	1		
31	4030	SM11/64(40)-8	(Screw SM11/64(40)-8)	2		
32	3110	M6(P0.75)-5	(Screw M6(P0.75)-5)	4		
33	282078		(Shaft)	1		
34	286021	608ZZ	(Bearing 608ZZ)	2		
35	286039	C 22	(Stop Ring)	2		
36	282070		(Gear Shaft)	1		
37	282071		(Roller Collar)	1		
38	3104	M5(P0.8)-4	(Screw M5(P0.8)-4)	4		
39	287012		(Clutch)	1		
40	282075		(Roller Shaft)	1		
41	282076	A	(Bevel Gear A)	1		
42	282077	B	(Bevel Gear B)	1		
43	282103		(Eccentric Control Pin)	1		
44	8152	SM15/64(28)-13.3	(Screw SM15/64(28)-13.3)	1		
45	282118		(Joint)	2		
46	9036	M5(P0.8)-12	(Screw M5(P0.8)-12)	2		
47	123061		(Washer)	2		
48	9008	M6(P1.0)-15	(Screw M6(P1.0)-15)	4		
49	283047	(t 0.1)	(Washer)	1		
50	287024		(Oil Cap)	1		
51	268001		(Felt)	1		
52	153075		(Washer)	4		
53	3008	SM9/64(40)-4	(Screw SM9/64(40)-4)	2		
54	286042	6002 ZZ	(Bearing 6002 ZZ)	1		

M. 하축 기구 / LOWER SHAFT MECHANISM

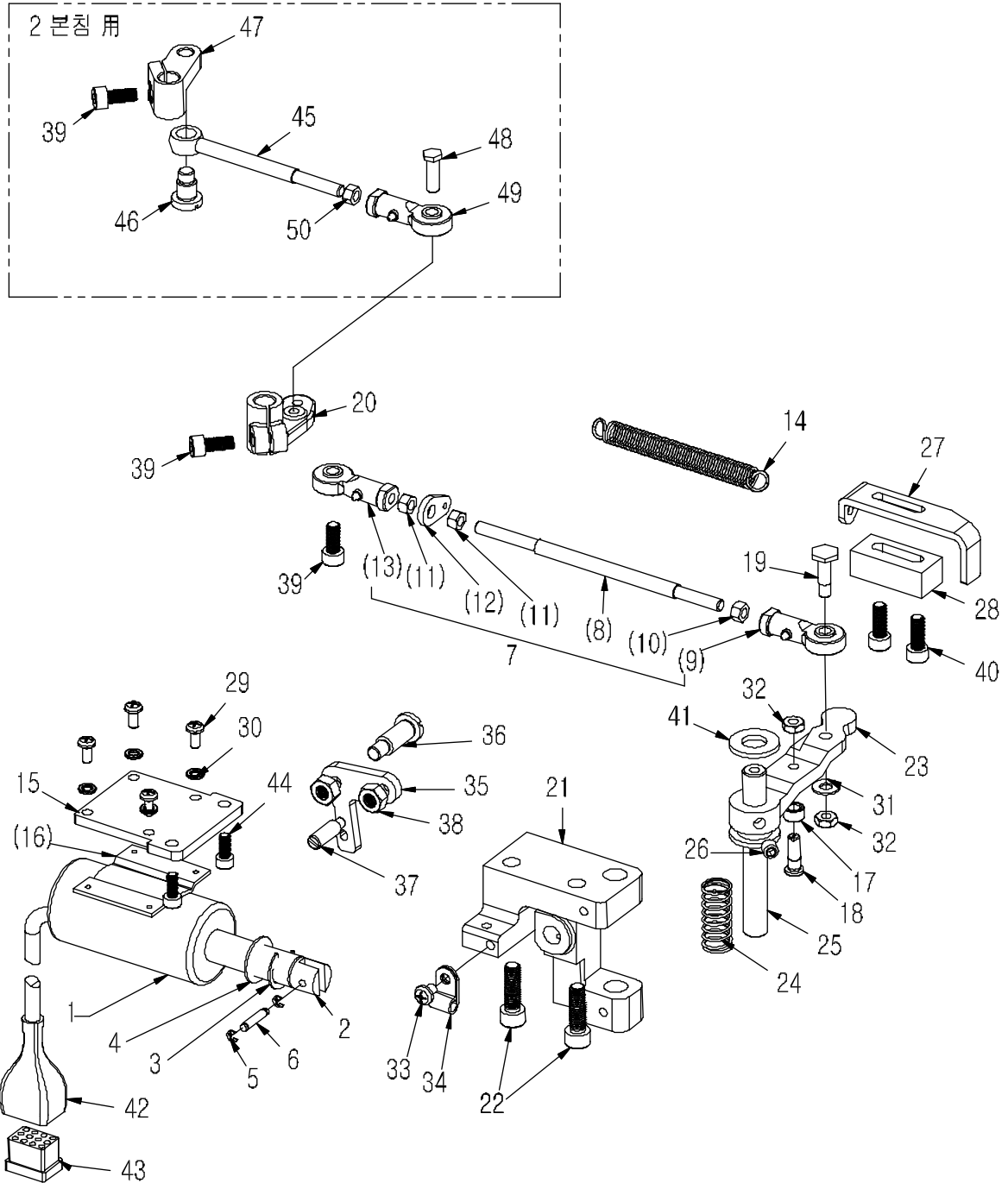


M.

/ LOWER SHAFT MECHANISM

No.	Code No.		Name of Part's	Q'ty		Remark
				1	2	
1	289036	()	(Bearing Ass'y)	1	1	
(2)	282027	()	(Bearing Bushing L)	1	1	
(3)	3035	SM15/64(28)-06	(Screw SM15/64(28)-06)	2	2	
(4)	286002	6203ZZ NR	(Bearing 6203ZZ NR)	1	1	
5	289037	()	(Bearing Ass'y)	1	1	
(6)	282017	()	(Bearing Bushing R)	1	1	
(7)	3035	SM15/64(28)-06	(Screw SM15/64(28)-06)	2	2	
(8)	286007	6202ZZ NR	(Bearing 6202ZZ NR)	1	1	
9	289006	()	(Coupling Ass'y)	2	2	
(10)	282028		(Coupling)	2	2	
(11)	282120		(Stop Pin)	4	4	
12	282018	()	(Lower Shaft R)	1	1	
13	282030	()	(Lower Shaft L)	1	1	
14	287015		(Coupling Connecting Disc)	1	1	
15	3100	M6(P0.75)-8	(Screw M6(P0.75)-8)	2	2	
16	3101	M6(P0.75)-8	(Screw M6(P0.75)-8)	2	2	
17	289035	()	(Feed Regulator Ass'y)	1	1	
(18)	123063		(Triming Cam Washer)	1	1	
(19)	3035	SM1/4(40)-06	(Screw SM1/4(40)-8)	1	1	
(20)	282024		(Feed Cam)	1	1	
(21)	3108	M6(P1.0)-12	(Screw M6(P1.0)-12)	2	2	
(22)	282021		(Slide Guide Plate)	1	1	
(23)	283023		(Feed Washer)	2	2	
(24)	3020	SM 11/64(40)-6	(Screw SM 11/64(40)-6)	2	2	
(25)	282019		(Feed Stop Pin)	1	1	
(26)	282020		(Feed Cam Slide)	1	1	
(27)	2138	SM 3/16(32)-11	(Screw SM 3/16(32)-11)	2	2	
(28)	281044		(Slide Guide)	1	1	
(29)	286032		(Fastener)	1	1	
(30)	282025		(Feed Cam Collar)	1	1	
(31)	281007		(Level Feed Connecting Ron)	1	1	
(32)	286005	6806ZZ	(Bearing 6806ZZ)	1	1	
33	283004		(Bed Cover)	1	1	
34	282105		(Triming Cam)	1	1	
35	3058	SM1/4(40)-6	(Screw SM1/4(40)-6)	3	3	
36	1147	SM9/64(40)-6	(Screw SM9/64(40)-6)	2	2	

N. 사절솔레노이드기구/THREAD TRIMMER SOLENOID MECHANISM

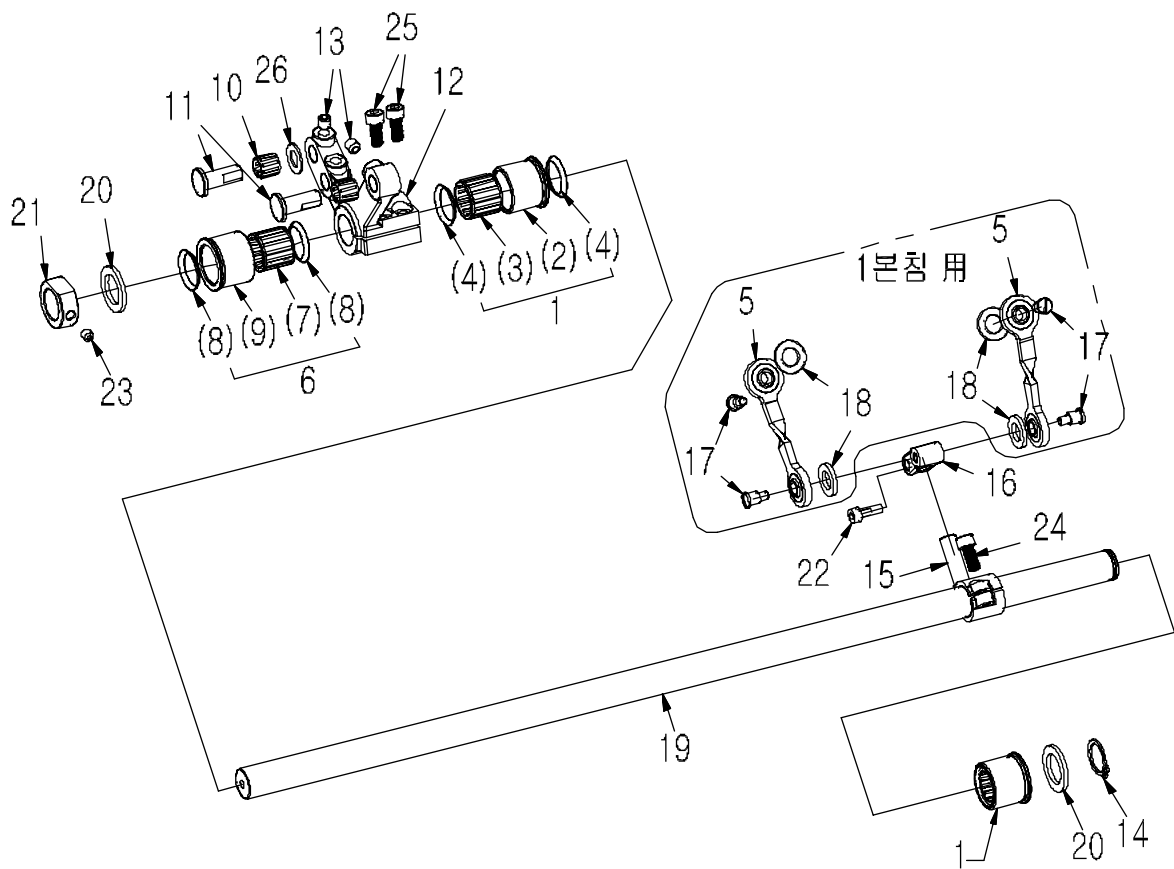


N.

/ THREAD TRIMMER SOLENOID MECHANISM

No.	Code No.		Name of Part's	Q'ty		Remark
				1	2	
1	289044	()	(Thread Trimmer)	1	1	
2	282116		(Flunger)	1	1	
3	115014	E 9	(Stop Ring)	1	1	
4	127041		(Rubber Cushion)	1	1	
5	286049	E 2	(Stop Ring)	2	2	
6	282117		(Solenoid Pin)	1	1	
7	289049	()	(Rod Ends Bearing Ass'y)	1	1	
(8)	8153		(Joint Connection Stud)	1	1	
(9)	156007	()	(Rod Ends Bearing (R))	1	1	
(10)	152084	()	(Nut)	1	1	
(11)	122082		(Nut)	2	2	
(12)	263024		(Spring Hook)	1	1	
(13)	156006	()	(Rod Ends Bearing (L))	1	1	
14	285013		(Return Spring)	1	1	
15	283035		(Bracket Plate)	1	1	
(16)	283051		(Solenoid Plate)	1	1	
17	282096		(Roller)	1	1	
18	6152	SM3/16(28)-10	(Screw SM3/16(28)-10)	1	1	
19	6156	SM3/16(28)-6	(Screw SM3/16(28)-6)	1	1	
20	281022		(Moved Knife Lever)	1	1	
21	281043		(Solenoid Bracket)	1	1	
22	9031	M6(P1.0)-20	(Screw M6(P1.0)-20)	2	2	
23	281023		(Thread Trimmer Lever)	1	1	
24	285012		(Spring)	1	1	
25	282098		(Thread Trimmer Shaft)	1	1	
26	3035	SM15/64(28)-06	(Screw SM15/64(28)-06)	1	1	
27	283034		(Bracket)	1	1	
28	282085		(Block)	1	1	
29	1031	SM9/64(40)-8	(Screw SM9/64(40)-8)	4	4	
30	136001	4	(Spring Washer)	4	4	
31	223032		(Washer)	1	1	
32	122080		(Nut)	2	2	
33	1047	SM11/64(40)-6	(Screw SM11/64(40)-6)	1	1	
34	157006	()	(Code Holder)	1	1	
35	283038		(Lever)	1	1	
36	6155	SM 15/64(28)-8	(Screw SM 15/64(28)-8)	1	1	
37	3098	SM 15/64(28)-20	(Screw SM 15/64(28)-20)	1	1	
38	122088		(Nut)	2	2	
39	9036	M5(P0.8)-12	(Screw M5(P0.8)-12)	2	3	
40	9015	M5(P0.8)-15	(Screw M5(P0.8)-15)	2	2	
41	287017		(Cushion Rubber)	1	1	
42	124025	6	(Connect Cap 6)	1	1	
43	124026	12P	(Connector 12P)	1	1	
44	9002	SM11/64(40)-10	(Screw SM11/64(40)-10)	2	2	
45	8154	M5(P0.8)-20	(Screw M5(P0.8)-20)		1	
46	6092	SM 1/4(40)-5	(Screw 1/4(40)-5)		1	
47	281057		(Moved Knife Lever)		1	
48	6104	M5(P0.8)-8.5	(Screw M5(P0.8)-8.5)		1	
49	156007	()	(Rod Ends Bearing (R))		1	
50	122082		(Nut)		1	

O. 하부수평축기구 / LOWER FEED ROCK MECHANISM

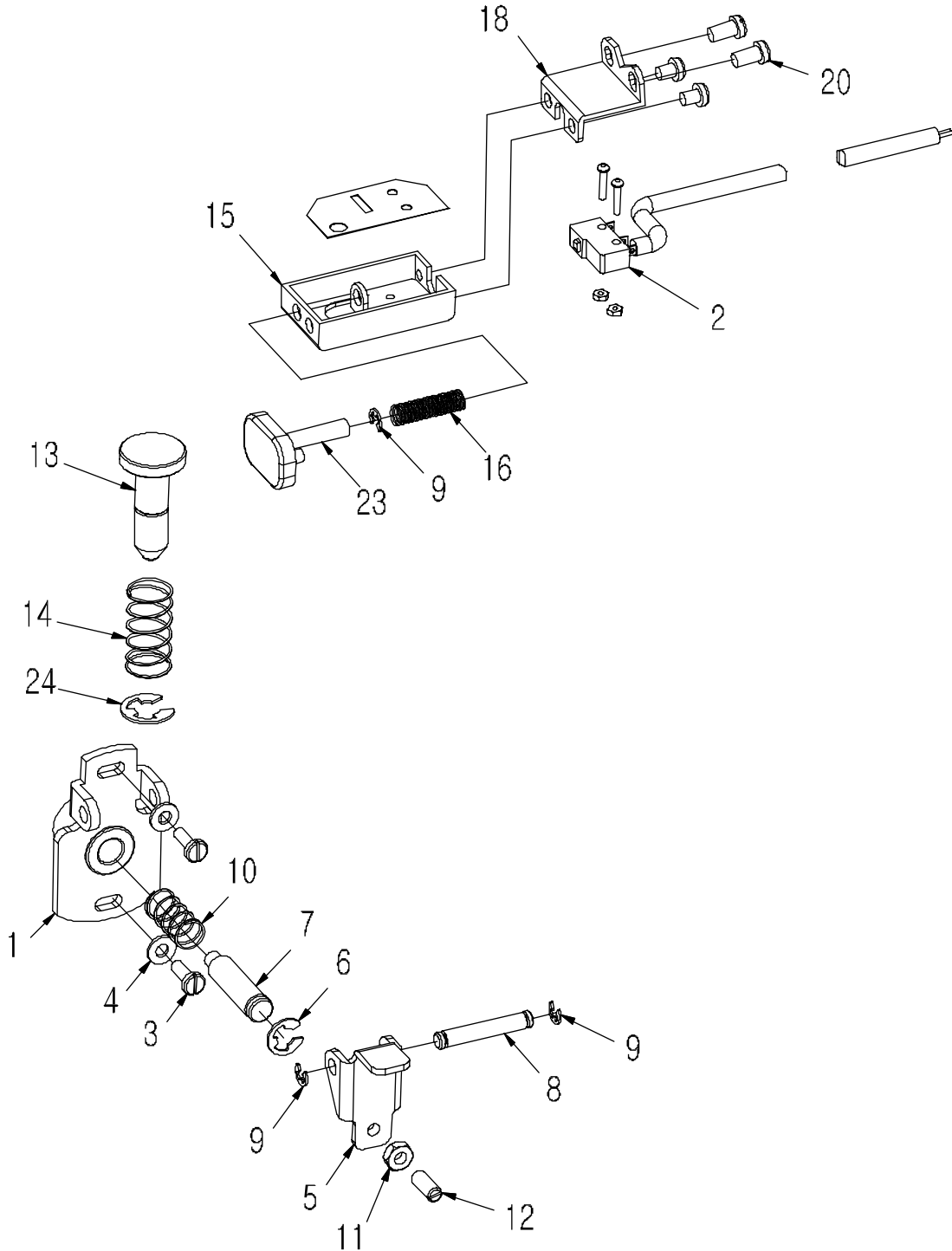


O.

/ LOWER FEED ROCK MECHANISM

No.	Code No.		Name of Part's	Q'ty		Remark
				1	2	
1	289010	()	(Needle Bearing Ass'y)	2	2	
(2)	282039		(Needle Bearing Bushing)	2	2	
(3)	286013		(Needle Bearing)	2	2	
(4)	283050		(Bearing Cover)	4	4	
5	289033	()	(Bearing Rod Ass'y)	2		
6	289009	()	(Needle Bearing Ass'y)	1	1	
(7)	286013		(Needle Bearing)	1	1	
(8)	283050		(Bearing Cover)	2	2	
(9)	282045		(Needle Bearing Bushing)	1	1	
10	286036		(Needle Bearing)	2	2	
11	282115		(Connecting Pin)	2	2	
12	281015		(Feed Rock Shaft Crank)	1	1	
13	3035	SM15/64(28)-06	(Screw SM15/64(28)-06)	2	2	
14	115007	C 15	(Stop Ring)	1	1	
15	281013		(Upper Feed Crank)	1	1	
16	281014		(Connecting Clamp)	1	1	
17	6154	M4 (P0.7)-5	(Screw M4 (P0.7)-5)	4		
18	288003		(Felt)	4		
19	282044		(Lower Feed Rock Shaft)	1	1	
20	283063		(Washer)	2	2	
21	282109		(Collar)	1	1	
22	9013	M4(P0.7)-12	(Screw M4(P0.7)-12)	1	1	
23	3080	M5(P0.8)-5	(Screw M5(P0.8)-5)	1	1	
24	9036	M5(P0.8)-12	(Screw M5(P0.8)-12)	1	1	
25	9039	SM3/16(28)-15	(Screw SM3/16(28)-15)	2	2	
26	283015	(t 1)	(Washer)	1	1	

P.마이크로스위치&땀수조절/MICRO SWITCH&FEED LENGHT CONTROL

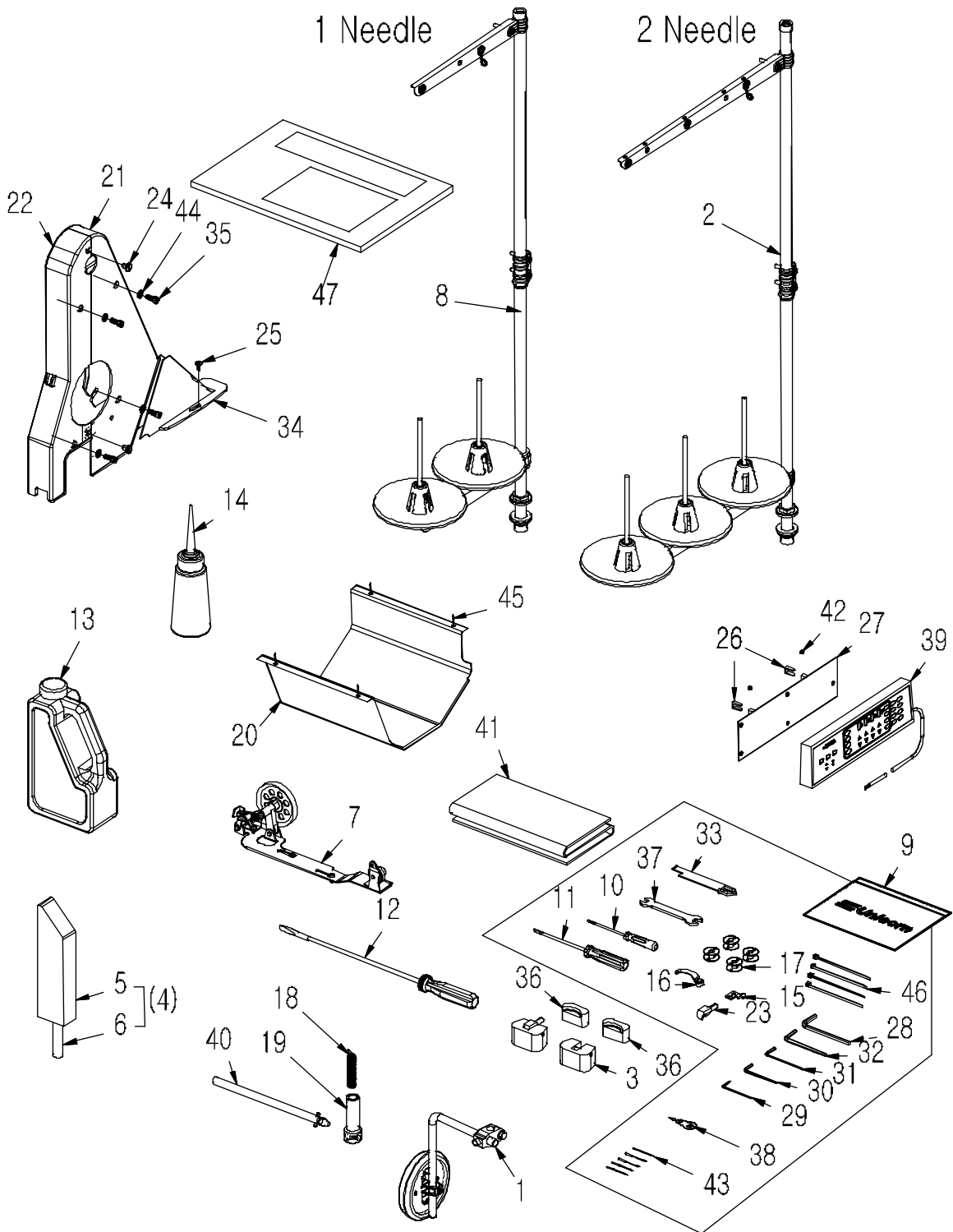


P.

/ MICRO SWITCH, FEED LENGHT CONTROL

No.	Code No.		Name of Part's	Q'ty		Remark
				1	2	
1	289021	()	(Feed Length Control Plate Ass'y)	1	1	
2	289055	()	(Micro Switch Ass'y)	1	1	
3	2037	SM 9/64(40)-11	(Screw SM 9/64(40)-11)	2	2	
4	123085		(Washer)	2	2	
5	283013		(Feed Length Presser Plate)	1	1	
6	135018	E 6	(Stop Ring)	1	1	
7	282033		(Pin)	1	1	
8	282031		(Pin)	1	1	
9	125032	3	(Stop Ring)	3	3	
10	285004		(Control Pin Spring)	1	1	
11	122080		(Nut)	1	1	
12	3102	SM3/16(28)-12	(Screw SM3/16(28)-12)	1	1	
13	282034		(Feed Length Control Button)	1	1	
14	285005		(Feed Lenght Spring)	1	1	
15	123030		(Bracket For Touch Switch)	1	1	
16	125028		(Spring)	1	1	
17	123031		(Insuiator Seet)	1	1	
18	283036		(Micro Switch Bracket)	1	1	
19	1112	M4(P0.7)-5	(Screw M4(P0.7)-5)	2	2	
20	1050	SM 11/64(40)-8	(Screw SM 11/64(40)-8)	2	2	
21	1111	M2(P0.4)-10	(Screw M2(P0.4)-10)	2	2	
22	122089	M2	(Nut)	2	2	
23	289058	()	(Button Ass'y)	1	1	
24	155027	E 8	(Stop Ring)	1	1	

Z. 약세사리 / ACCESSORIES



Z. / ACCESSORIES

No.	Code No.		Name of Part's	Q'ty		Remark
				1	2	
1	821	()	(Knee Lifter Complete Ass'y)	1	1	
2	853	()	(Cotton Stand Ass'y)		1	
3	289046	()	(Rubber Hinge Ass'y)	2	2	
(4)	289048	()	(Head Rest Ass'y)	1	1	
5	288004		(Head Rest)	1	1	
6	282157		(Support Bar)	1	1	
7	819	()	(Bobbin Winder Ass'y)	1	1	
8	820	()	(Cotton Stand Ass'y)	1		
9	804		(Accessories Vinyl)	1	1	
10	813	3x68.5	(Driver)	1	1	
11	814	4x94	(Driver)	1	1	
12	815	6x251	(Driver)	1	1	
13	801		(Oil Tank)	1	1	
14	827	()	(Oil Tank (S))	1	1	
15	263013		(Fixed Knife)	1	1	
16	262004		(Moved Knife)	1	1	
17	152046		(Bobbin)	4	4	
18	285007		(Spring)	1	1	
19	282061		(Bracket)	1	1	
20	283037		(Oil Pan)	1	1	
21	284006	()	(Belt Cover Right)	1	1	
22	284005	()	(Belt Cover Left)	1	1	
23	281048		(Hinge Pin)	2	2	
24	2141	M4(P0.7)-8	(Screw M4(P0.7)-8)	2	2	
25	816		(Screw)	8	8	
26	123072		(Control Box Support)	2	2	
27	123101		(Panel Cover)	1	1	
28	867	L 5mm	(L-Wlench)	1	1	
29	823	L 2mm	(L-Wlench)	1	1	
30	828	L 2.5mm	(L-Wlench)	1	1	
31	824	L 3mm	(L-Wlench)	1	1	
32	830	L 4mm	(L-Wlench)	1	1	
33	124050		(Cover Safety)	1	1	
34	123092		(Tri-Belt Cover)	1	1	
35	9055	SM1/4(24)-13	(Screw SM1/4(24)-13)	4	4	
36	287021		(Vibration Preventing Rubber)	2	2	
37	835	8x9	(Spanner)	1	1	
38	829		(Thread Needle Kit)	1	1	
39	UK-100		(Operation Panel)	1	1	
40	289039		(Support Shaft Ass'y)	1	1	
41	803		(Head Cover)	1	1	
42	3016	SM 11/64(40)-4	(Screw SM 11/64(40)-4)	2	2	
43	116002	DPX5	(Needle #18)	5	5	
44	153075		(Washer)	4	4	
45	825		(Nail)	4	4	
46	126003		(Cable Tie)	4	4	
47	288020		(Operation Manual)	1	1	